



SPRINGFIELD
ARMORY

1911 Manual

Operation & Safety Manual

IMPORTANT SAFETY INFORMATION INSIDE

Read this manual before handling this firearm. Keep this manual with your firearm and review it before each use.

Do not allow others to handle or fire your firearm until they have read this manual.

Transfer this manual with the firearm upon ownership change.

THIS MANUAL IS FOR 1911 FIREARMS ONLY.

Be a responsible firearm owner. Use it safely, store it securely, and always transfer a firearm responsibly and legally.

READ & UNDERSTAND THIS MANUAL

BEFORE LOADING AND FIRING THIS FIREARM, READ AND UNDERSTAND THE INFORMATION IN THIS MANUAL.

This is an auto loading firearm. It is immediately loaded and ready to fire again after each shot until all cartridges loaded in magazine have been fired. The firearm is able to fire both with and without the magazine in place. **REMOVING THE MAGAZINE DOES NOT UNLOAD THE FIREARM NOR DOES IT ENGAGE A SAFETY. THE FIREARM IS NOT UNLOADED UNTIL THE MAGAZINE IS REMOVED AND THE CHAMBER IS EMPTY.**

ABOUT YOUR OWNER'S MANUAL

This is an instruction booklet on how to operate this firearm with some basic safe handling rules. It does not attempt to provide information about using a firearm to defend yourself, how to hunt, or for competitive or target shooting. It is important to receive training from a competent firearms instructor prior to engaging in any of these activities. The National Rifle Association, your local or state authorities, or your firearm dealer may provide information regarding available instructors or training courses. If you have a license to carry concealed, never do so without prior instruction from a certified instructor. Using a firearm for self defense is a complex subject with dangers and risks for which you must be properly trained. Every safety rule has a reason behind it - read the rules carefully and understand why each is important for safety.

It is recommended that every person receive instructions from a competent firearms instructor before handling this or any other firearm.

Know and obey all firearm laws and regulations, which may vary from city to city and state to state. Do not give a firearm to someone who is not allowed to own a firearm or who may use it for a criminal purpose.

USED FIREARMS

If you purchased this firearm as a used firearm, have it inspected and tested by a competent pistolsmith before you use it. Firearms are sometimes altered and may require repair before they can be used safely.

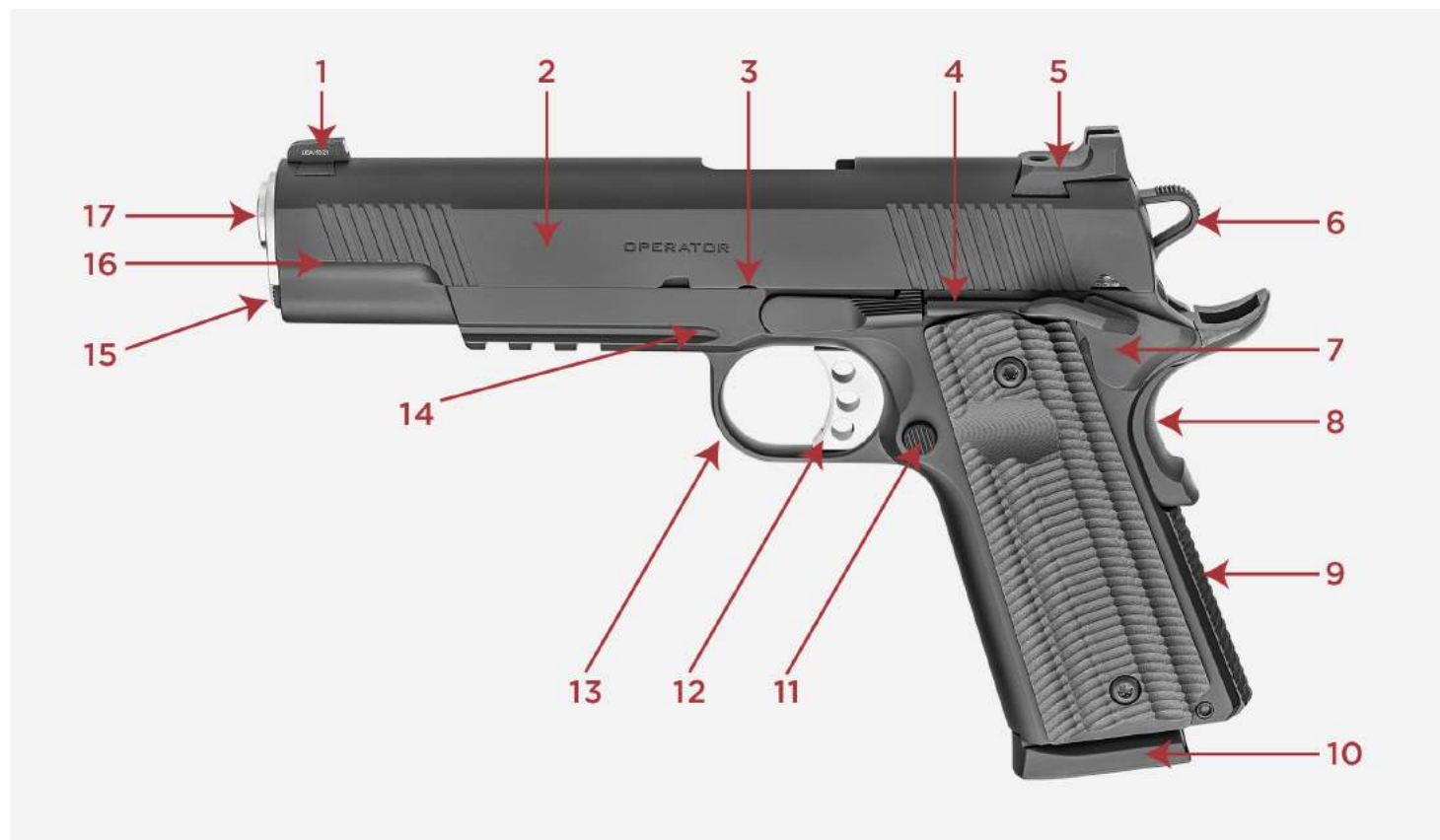
STORE FIREARMS SAFELY IN THE HOME

Store firearms unloaded, locked and in a secure place. Obey firearm storage laws. Store firearms and ammunition separately. Because your children may be in other

homes where firearms are stored, you should show them what to do if they see or find a firearm by showing them the Eddie Eagle video available from the NRA by calling (703) 267-1000.

OBEY ALL GUN LAWS WHEN BUYING AND SELLING FIREARMS. NEVER BUY A GUN INTENDING TO TRANSFER IT TO SOMEONE WHO IS PROHIBITED FROM OWNING FIREARMS. NEVER EVER BE A "STRAW PURCHASER."

KNOW YOUR FIREARM



1911 Know Your Firearm

- 1 Front Sight
- 2 Slide
- 3 Disassembly Notch
- 4 Plunger Tube
- 5 Rear Sight
- 6 Delta Hammer

- 7 Thumb Safety
- 8 Grip Safety
- 9 Mainspring Housing
- 10 Magazine Well
- 11 Magazine Release
- 12 Trigger
- 13 Trigger Guard
- 14 Frame
- 15 Recoil Assembly
- 16 Slide Serrations
- 17 Barrel

LOADED CHAMBER INDICATOR

Springfield pistols sold after January, 2001 have a loaded chamber indicator . (See Figure 1.) The barrel slot allows you to observe whether a shell is in the chamber. When a shell is in the chamber the brass case can be seen clearly.





Figure 12-1



WARNING: Even though the chamber is empty there may be cartridges in the magazine. The firearm is not completely unloaded until the magazine is removed and the chamber is empty.

FRONT FIBER OPTIC INSTALLATION

WARNING: Make sure the firearm is completely unloaded, magazine removed and chamber clear.

INSATALLATION

- With a suitable heat source; i.e., Butane lighter, carefully begin to melt one end of the filament by positioning it close to the flame until a bulb forms the same size as the pocket in the serrated face of the front sight. **DO NOT LET THE FILAMENT TOUCH THE FLAME AS THIS WILL CLOUD THE BULB** (See Figure 20-1).

- Insert the filament into the sight from the serrated face of the sight and pull the filament through the sight until the bulb rests in the pocket (See Figure 20-2).

- If the bulb is larger than the pocket, cut off the bulb only and repeat the melting process until the bulb fits properly.

- Now cut the filament with a razor blade or fingernail clippers approximately 1/16 of an inch longer than the sight. Using the same melting process, form a bulb on the muzzle end of the sight locking the fiber optic filament in place (See Figure 20-3).



Figure 20-1



Figure 20-2



Figure 20-3

SAFETY RULES

READ AND UNDERSTAND THESE SAFETY RULES

Be a safe firearm owner.

ACCIDENT (ak´ si dent) N. 1. An unintentional or unexpected happening that is undesirable or unfortunate, especially one resulting in injury, damage, harm or loss.

Don't be the cause of an accident.

A responsible firearm owner is safety minded and always handles firearms in a safe manner by following the basic rules of safe shooting and by using common sense in the handling of a firearm. Store firearms unloaded, locked, and in a secure place. Keep keys for locks separate from lock and in a secure place away from children. Keep firearms out of reach of children. You are responsible for children's safety.

Be A Responsible Firearm Owner.

- **Treat all firearms as if they are loaded at all times.**

- Although many safety mechanisms are designed into your firearm, firearm safety still depends on you being a responsible firearms owner.

- Never point a firearm at any person or thing you do not intend to shoot.

- Be sure you have positively identified your target.

- **ALWAYS KEEP THE MUZZLE POINTED IN A SAFE DIRECTION.**
-

- **Do not drop your firearm.** Make sure you maintain control of your firearm at all times. **If it falls, it may fire.** If you do drop it, unload it and examine it to be sure it works correctly. Do not attempt to fire it again until you have completed this safety check.
-

- Never put your hand over the muzzle of the firearm.
-

- Keep your finger(s) off the trigger and out of the trigger guard until you are actually aiming at your target, and made the decision to fire.
-

- Under no circumstances should the owner of this firearm allow it to come into possession of or be handled by small children or a mentally handicapped individual.
-

- **DO NOT COVER THE EJECTION PORT WITH YOUR HANDS WHEN LOADING/UNLOADING YOUR FIREARM.**

BE A RESPONSIBLE FIREARM OWNER!

- Never rely on a firearm's "safety features" to protect you from unsafe firearm handling. A safety is only a mechanical device, not a substitute for common sense.
-

- Keep your finger off the trigger until you are on target and have made the DECISION to fire.
-

- Be sure of your target and backstop before you shoot. Ask yourself what your bullet will hit if it misses or goes through the target.
-

- Before shooting, be sure the barrel is clear of obstructions, including excessive oil and grease.
-

- Do not let water, snow, mud or other materials enter the barrel.
-

- Do not pull a firearm toward you by the muzzle.
-

- Always hold your firearm so you control the direction of its muzzle in case you fall or stumble
-
- **ALWAYS KEEP THE MUZZLE POINTED IN A SAFE DIRECTION.**
-
- If anything does get into the barrel, remove cartridges, and clean bore immediately before attempting to shoot. Obstructed barrels can burst and injure you and/or bystanders.
-
- Maintain possession of your firearm at all times when you are on the firing range or during target practice. **DO NOT ALLOW OTHERS TO HANDLE YOUR FIREARM UNLESS THAT PERSON IS BEING INSTRUCTED OR TRAINED.**
-
- **DO NOT COVER THE EJECTION PORT WITH YOUR HANDS WHEN LOADING/UNLOADING YOUR FIREARM.**



WARNING: The firearm is a dangerous weapon if not handled properly.

BE A SAFE SHOOTER!

- **ALWAYS KEEP THE MUZZLE POINTED IN A SAFE DIRECTION.**
-
- Firearms and alcohol or drugs do not mix. Do not take them before or during shooting activities. Your vision, coordination and judgment could be impaired, making firearm handling unsafe.
-
- When taking medication, seek a doctor's advice to be sure you can operate and handle your firearm safely.
-
- Receive training from a competent firearms instructor before using any firearm.
-
- Before attempting to shoot, practice operations by using snap caps (dummy rounds). Become familiar with the safety features, trigger control, and handling of

the firearm.

- Make sure you maintain control of your firearm at all times.

- **Always keep and carry your firearm with an empty chamber until you intend to shoot, so your firearm cannot be fired unintentionally.**

- Firearms should be unloaded when not in use. This means both the chamber and magazine are empty.

- When transferring a firearm by hand, always open the action and check to assure that it is unloaded prior to handing it over to someone.

- Never take anyone's word that a firearm is unloaded. When receiving a firearm, always open the action and check that it is unloaded.

READ THESE RULES!

- Load firearm only when on range preparing to fire. Unload it before leaving range.

- **Treat every firearm as if it is loaded... all the time!**

- Load and unload with the firearm muzzle pointed in a safe direction.

- Be certain firearm is unloaded before cleaning.

- Completely unload your firearm before storing, traveling, standing it against an object, laying it down, entering a house, car, truck, boat, RV/camper, building, or handing it to someone.

- **Never leave a loaded firearm unattended.**

- Tragedy may result if a child finds your firearm and plays with it. Keep every firearm secure. Children do not believe firearms can kill.

- Store firearms and ammunition separately. Both should be placed beyond children's reach.
-

- Obey all laws regarding the storage and security of firearms in the home.
-

- Know and obey the laws regarding the transportation and carrying of firearms.
-

- **Never carry any firearm, loaded or unloaded, in your pocket, purse or tucked in your belt or waistband. Use a firearm case or a proper holster.**
-

- **Old or reloaded ammunition may cause damage to the firearm and/or injure you or others. Use only clean, dry, original, high-quality, commercially manufactured ammunition. Using reloaded ammunition will void the warranty.**
-

- **ALWAYS REMEMBER, REMOVING THE MAGAZINE DOES NOT UNLOAD THE PISTOL NOR DOES IT ENGAGE A SAFETY.**
-

- **ALWAYS REMEMBER, THE PISTOL IS NOT UNLOADED UNTIL THE MAGAZINE IS REMOVED AND THE CHAMBER IS EMPTY.**
-

- **ALWAYS REMEMBER, THIS FIREARM IS ABLE TO FIRE WITH OR WITHOUT THE MAGAZINE IN PLACE.**
-

- **DO NOT COVER THE EJECTION PORT WITH YOUR HANDS WHEN LOADING/UNLOADING YOUR FIREARM.**
-

TREAT EVERY FIREARM AS IF IT IS LOADED... ALL THE TIME!

- Many ammunition identifications sound similar. Make sure you use the right caliber/size ammunition in your firearm.
-

- If firearm fails to fire when the trigger is pulled, keep it pointed at the target for at least 30 seconds. Remove the magazine before opening the action. Remove the

cartridge from the chamber. Sometimes slow primer ignition will cause a “hang fire” and the cartridge will go off after a short pause.

- When group firing, always appoint someone to maintain safety control. Obey his/her commands immediately and completely.

- While person is loading, firing, and unloading, spectators need to remain behind the users.

- **Always wear protective glasses when shooting.**

- **Always wear hearing protection when shooting.**

- Never shoot at hard flat surfaces or water; bullets will ricochet unpredictably.

- Do not alter or modify your firearm.

- Have your firearm serviced regularly by a qualified pistolsmith.

- Discharging firearms in poorly ventilated areas, cleaning firearms, or handling ammunition may result in exposure to lead and other substances known to cause birth defects, reproductive harm, cancer and other serious physical injury. Have adequate ventilation at all times. Wash hands thoroughly after firing your firearm, after cleaning your firearm, or whenever you have handled ammunition.

- Always use quality ammunition.

- **ALWAYS KEEP THE MUZZLE POINTED IN A SAFE DIRECTION.**

- **DO NOT COVER THE EJECTION PORT WITH YOUR HANDS WHEN LOADING/UNLOADING YOUR FIREARM.**

BE A SAFE SHOOTER!

- Do not try to change your firearm's trigger pull, because alterations of trigger pull usually affect sear engagement and might cause accidental firing.
-
- Never use a firearm that jams or fails to function properly. Should this occur, return to Springfield, Inc. for warranty/repair.
-
- If your shot sounds weak or underpowered, it could mean a bullet is in the chamber/bore . The firearm should be immediately unloaded and the chamber/bore checked for obstructions before re-firing.
-
- **DO NOT "HORSEPLAY"** with a firearm. Your firearm cannot think... but you can. Firearm safety depends on you.



IMPORTANT WARNING: There is no safe way to discharge a firearm in a home or apartment. Bullets will go through walls, floors, furniture, and appliances and still cause serious injury or death to persons in the house, next door, or outside. Accidental discharges indoors ALWAYS result in property damage or personal injury.



WARNING: When you squeeze the trigger, you must expect the firearm to fire. You must take full responsibility for firing it. Your care can avoid accidental discharge and thereby avoid accidental injury and death.

HANDLING

We want you to be a safe, satisfied shooter.

Before attempting to load this firearm with live ammunition, follow the sequence of operations shown here without ammunition or with dummy shells.

By practicing operations with snap caps (or with dummy rounds), you will become familiar with:

- Safety features
-

- Trigger control (snap caps)
-

- Handling of your firearm

As a result you will be a safer, more confident shooter when aiming at your first target.

Safety Stop on Hammer

The Safety Stop is a flat, shelf-like surface on the hammer which functions automatically. It will engage the sear in the unlikely event of primary sear notch failure. This will prevent the hammer from falling fully forward unintentionally and will insure against uncontrolled automatic fire. It also prevents the hammer from striking the firing pin should your hand slip from the slide or hammer while cocking the pistol, provided the hammer is rotated past the Safety Stop. It is located such that when the sear engages the Safety Stop, the sear can be disengaged by squeezing the trigger. It falls because the sear slides over the flat part of the safety stop to release the hammer. This is intentional but will not allow the pistol to fire. It will not fire because the hammer is almost fully forward when it is released from the sear. The Safety Stop is not a manual safety and should not be engaged by hand. Do not carry the firearm while Safety Stop is engaged.

Caution: Control hammer with your thumb and forefinger (Figure 1). Always point pistol in a safe direction when squeezing the trigger to lower the hammer. This will avoid accidental injury in the unlikely event of firearm discharge. Lowering the hammer in this way should be done only when the chamber is empty.

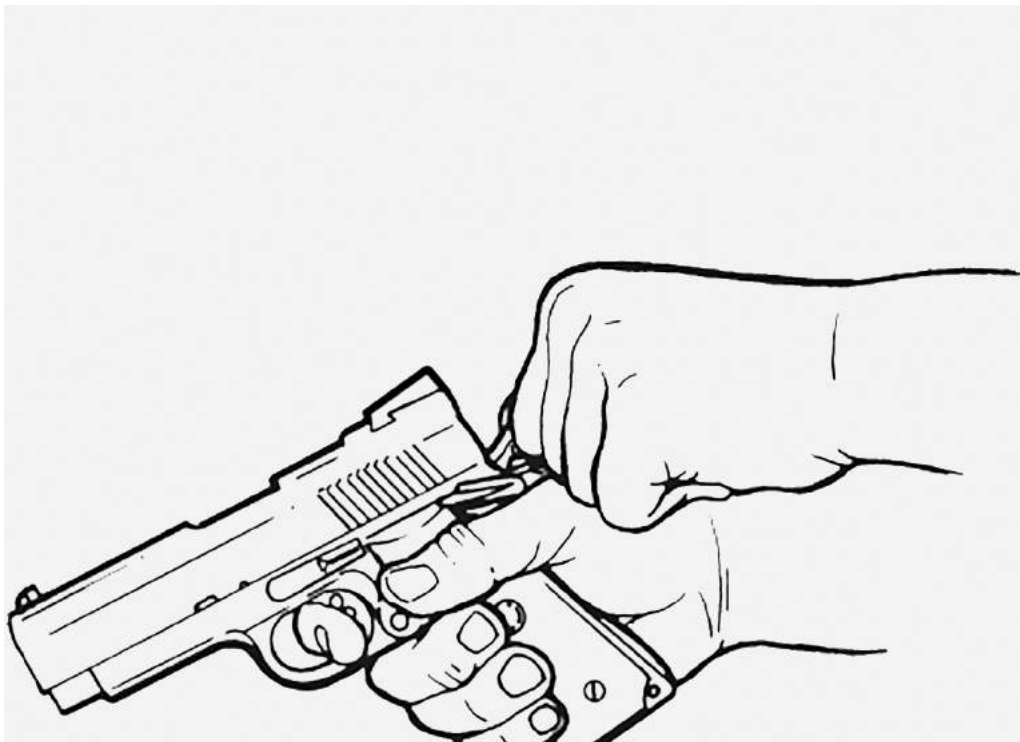




Figure 11-1

PORTED BARREL SAFETY INSTRUCTIONS

Warnings, Ammunition Restrictions, and Maintenance.

Completely read this safety manual before using a ported barrel pistol. Transfer this manual to any subsequent owner or user of the pistol. If you are inexperienced in the handling of firearms, obtain expert instruction before attempting to shoot. Neither this manual nor this product can take the place of proper instruction in the safety aspects of shooting, the use of firearms, and the use of a firearm for selfdefense. Severe injury to hands, eyes, face, other persons or property will occur with improper use of a ported pistol.

Safety Notes

Always use eye and ear protection when shooting or when in close proximity to shooting. A ported barrel pistol, in common with most pistols using muzzle brake devices, produces greater noise than normal pistols and this poses a danger to hearing. Never position any part of the body over or near the exhaust ports. Never cycle the slide with your hands over the exhaust ports. Never point a gun at anything you do not intend to shoot. If the ported pistol is drawn rapidly it must not be discharged in proximity to the holster or the shooter's eyes, legs, arms, clothing or bystanders. Do not shoot a ported barrel pistol from the hip. The blast from the exhaust ports can cause injury or property damage several feet away. Use caution when shooting to avoid overhead objects that may be damaged by the blast from the barrel exhaust ports.

Ammunition

Use only fresh factory ammunition such as Winchester or Federal. DO NOT use handloads, reloads, or remanufactured ammunition in your Springfield firearm. Only shoot cartridges of the caliber engraved on the barrel. DO NOT use shot cartridges or any ammunition which is loaded with a frangible projectile or any ultra-light weight projectile at elevated velocities, or any wooden or plastic projectile.

Caution

Fragments of the metal jackets on jacketed bullets may be propelled through the exhaust ports with great force and have the potential to cause injury or property damage at a distance of several feet. The misuse of any of the ammunition described above may result in injury, property damage, or both.

Maintenance

Accumulated debris in the barrel exhaust ports may result in damage to the pistol or injury to the shooter. With the gun unloaded, regularly inspect the bore and exhaust ports for dirt and debris. Never discharge the firearm when any form of debris is present in the barrel or exhaust ports.



WARNING: Always have firearm pointed in a safe direction. Failure to obey safety information may result in injury to you or others.

DANGEROUS: .22 CONVERSION KITS FOR MODEL 1911 PISTOLS

The firing pin on some commercial .22 conversion kits protrudes back too far causing the hammer to hit the firing pin when the hammer is in the Safety Stop position. When this occurs the gun could fire and is a potentially dangerous situation. **.22 conversion kits with this condition are dangerous and could cause serious injuries.** For your safety and the safety of others, these .22 conversion kits should not be used on any Springfield 1911 model pistol.

SPRINGFIELD'S INTEGRAL LOCKING SYSTEM (ILS™)

US PAT.6269576

WARNING: Do not remove the mainspring housing before reading instructions and using eye protection. The ILS™ has parts under spring pressure. If improperly disassembled, the mainspring cap will be forcefully ejected and could cause injury to you or a bystander.

CAUTION: The ILS™ is designed to lock the pistol when stored or left unattended. It is not intended to replace any of the existing safety features.

ILS™ OPERATION

Locate the ILS™ switch on your mainspring housing. (See Figure 13)

- If the holes are vertical (stacked) the firearm is not locked. (See Fig. 13-1) To activate the ILS™ and lock your firearm, follow these steps:
 - Point the firearm in a safe direction.

 - Unload the gun. ([See Unloading Section](#))

 - Fully lower the hammer ([See Lowering Hammer Section](#)).

 - Insert the key and turn clockwise until the holes are horizontal (side-by-side). The ILS™ is now activated and the firearm is locked. (See Fig. 13-2)

- If the holes are horizontal (side-by-side) the gun is locked. To unlock, follow these steps:
 - Point the firearm in a safe direction.

 - Insert the key and turn counter-clockwise until the holes are vertical or stacked. (see Fig. 13-3) Before cocking the firearm make sure it is unloaded.

Note: The ILS™ requires firm pressure to operate, but do not over-torque.



Figure 13-1

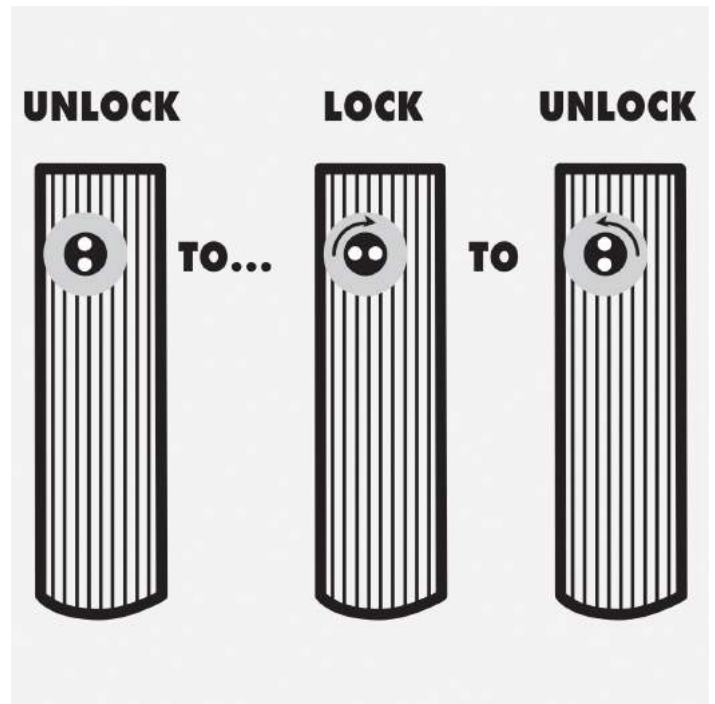


Figure 13-2

REMOVING THE MAINSPRING HOUSING WITH ILS™

Caution: Always be sure the firearm is unloaded before proceeding.

1. With the hammer full down, deactivate the ILS™. The holes should be vertical (or stacked). (Fig. 13-1)

2. Wrap a heavy-duty rubber band around the grip safety until it is completely depressed. Doing so will maintain the alignment of the sear spring and negate further disassembly of the firearm. (Fig. 14)

3. Cock the hammer to the full cocked position.

4. Insert takedown pin into takedown hole. (Fig. 14)

5. Slowly lower the hammer to the full-down (fired) position.

6. With a proper punch, drive out the mainspring housing retaining pin.

7. Remove the mainspring housing

Caution: Do not remove the takedown pin until the mainspring housing is reinstalled

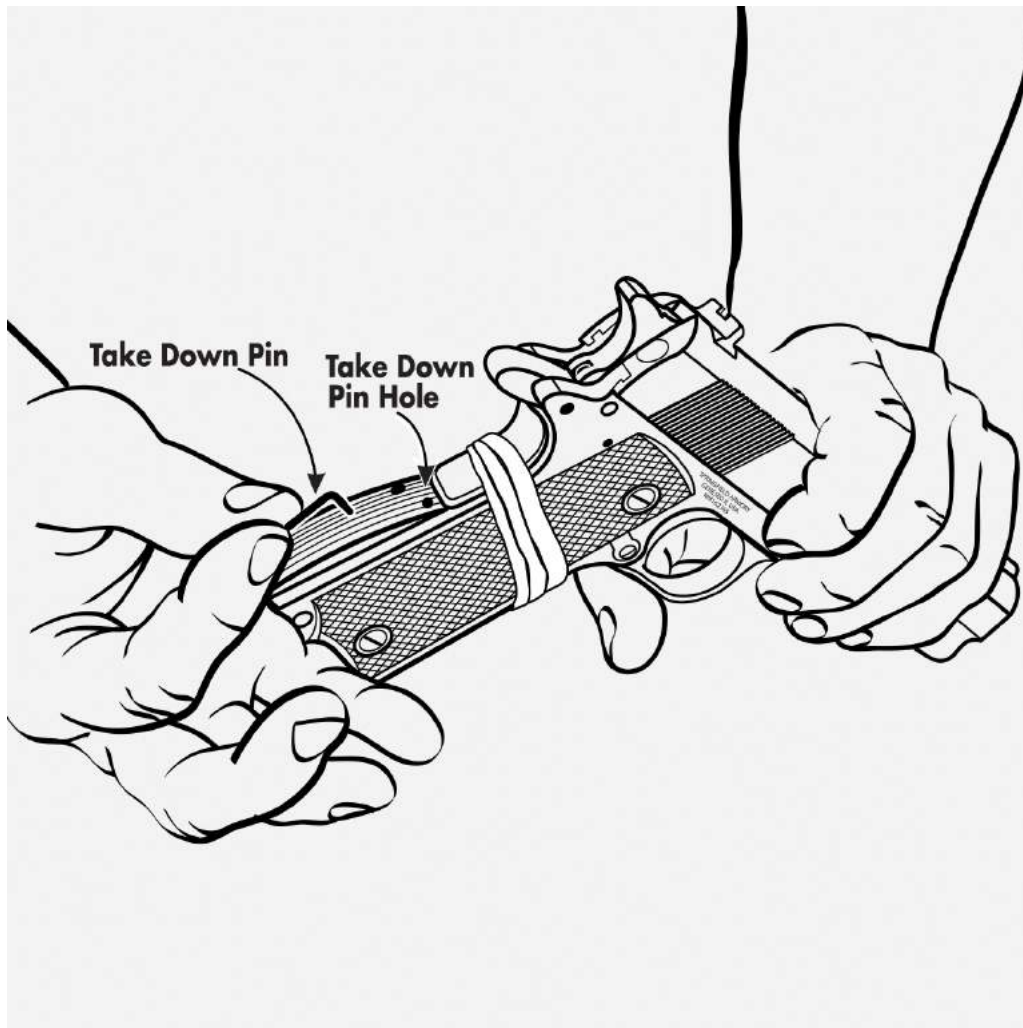


Figure 14-1

DISASSEMBLY OF THE MAINSPRING HOUSING WITH ILS™

Do not attempt this procedure unless you have considerable experience in firearms disassembly.

1. Place mainspring housing in a vice.

2. With a suitable punch, depress the ILS™ spring cap and hold it down. (Figure 15-1)

3. While continuing to depress the ILS™ spring cap, remove the takedown pin. (Fig. 15-2)

4. Slowly and carefully release the pressure on the spring cap allowing it to move out of the mainspring housing. (Fig. 15-3)

5. After the spring cap has been removed, the main-spring and mainspring retainer can be removed.

Caution: Do not turn the locking pin when the ILS™ is disassembled. The system may be reassembled only with the ILS™ pin deactivated (with the holes vertical or stacked).

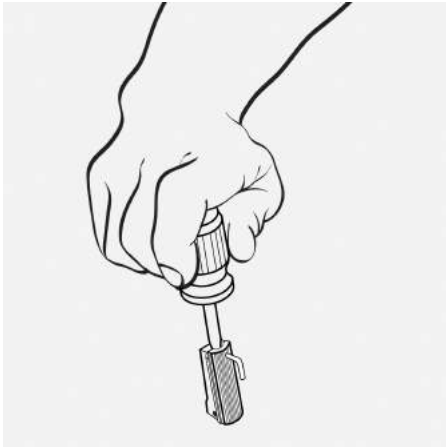


Figure 15-1



Figure 15-2

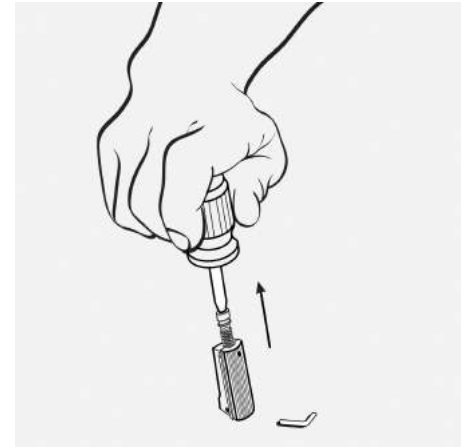


Figure 15-3



WARNING: This procedure requires extreme caution. The ILS™ spring cap is under extreme pressure and will be ejected if you fail to perform the disassembly properly. Use extreme care and wear eye protection.

REASSEMBLY OF THE MAINSPRING HOUSING WITH ILS™

1. Assemble the mainspring cap, mainspring, and mainspring retainer then insert into the mainspring housing. (See Figure 16)
2. Carefully depress the cap far enough to allow you to reinstall the takedown pin. (See Fig.16-1).
3. Carefully and slowly release the pressure on the spring cap until the takedown pin captures it.

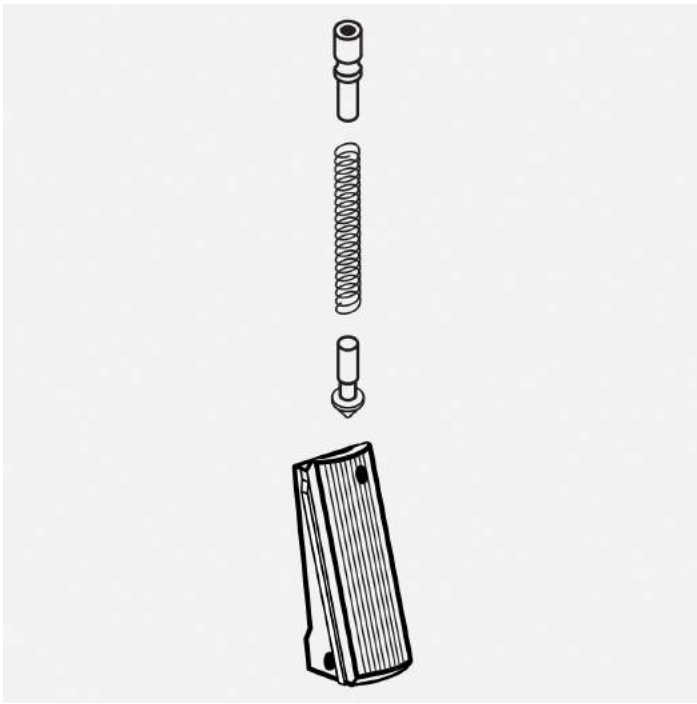


Figure 16-1

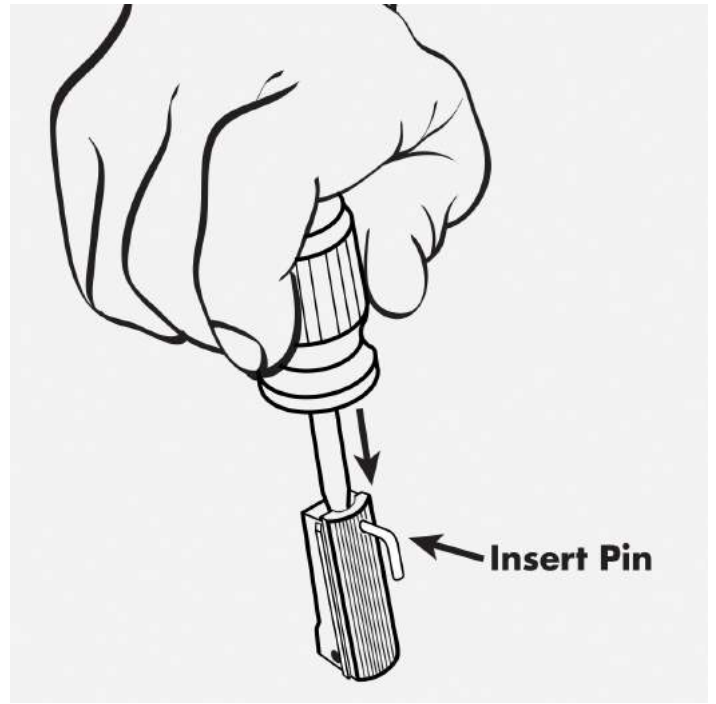


Figure 16-2

REPLACING THE MAINSPRING HOUSING WITH ILS™

1. Slide the mainspring housing into place and reinsert the mainspring housing retaining pin.

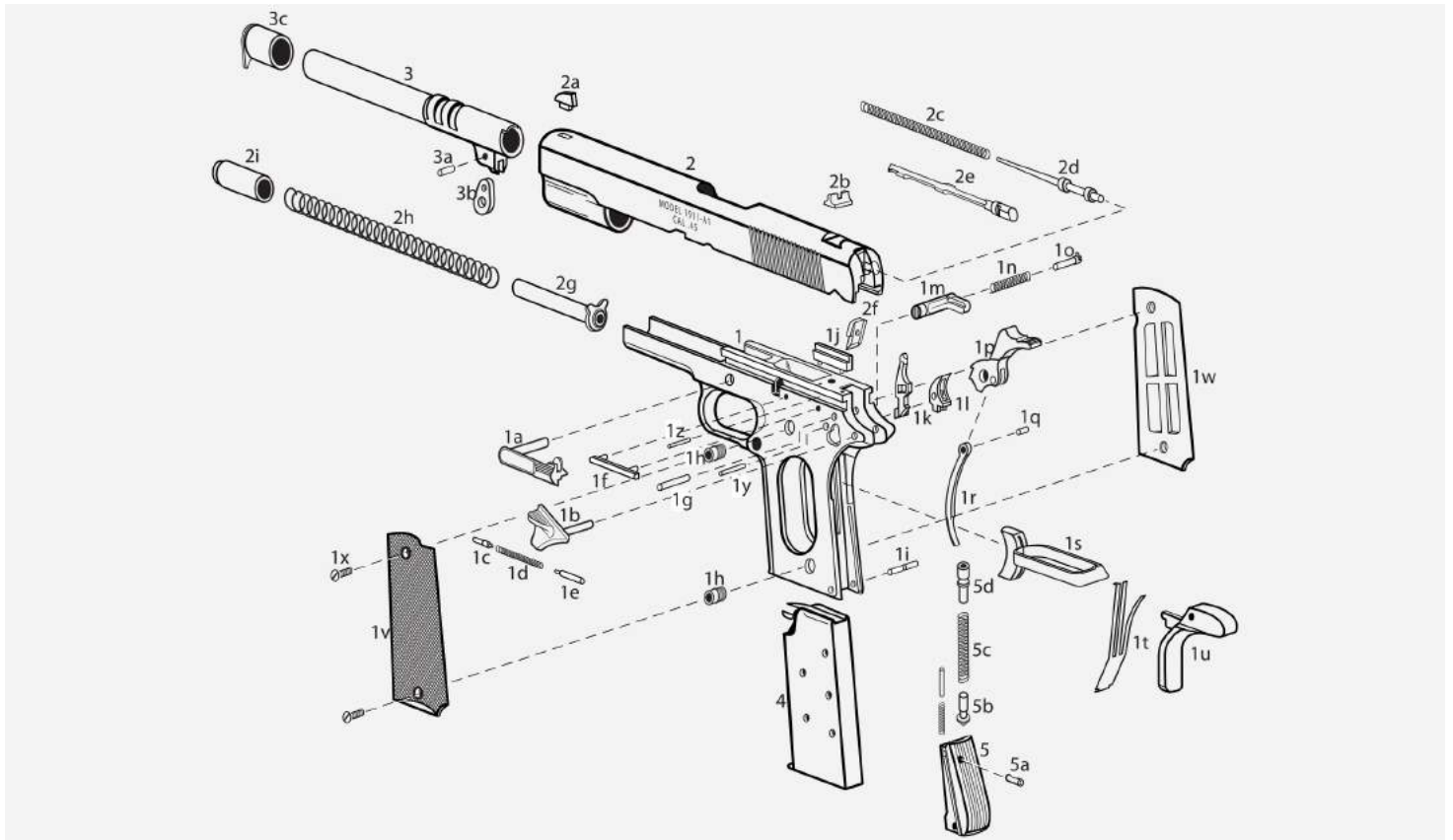
2. Cock the hammer to a full cock position. Remove the takedown pin.

3. Remove the rubberband from the grip safety.

4. Lower the hammer to the full down position

The mainspring housing with ILS™ is now installed

MIL-SPEC MODEL PARTS LIST



PG51-Mil-Spec

1 .45 Mil-Spec Frame

1a Slide Stop

1b Thumb Safety

1c Slide Stop Plunger

1d Thumb Safety/Slide Stop Spring

1e Safety Plunger

1f Plunger Tube

1g Hammer Pin

1h Grip Screw Escutcheon

1i Mainspring Housing Retainer Pin

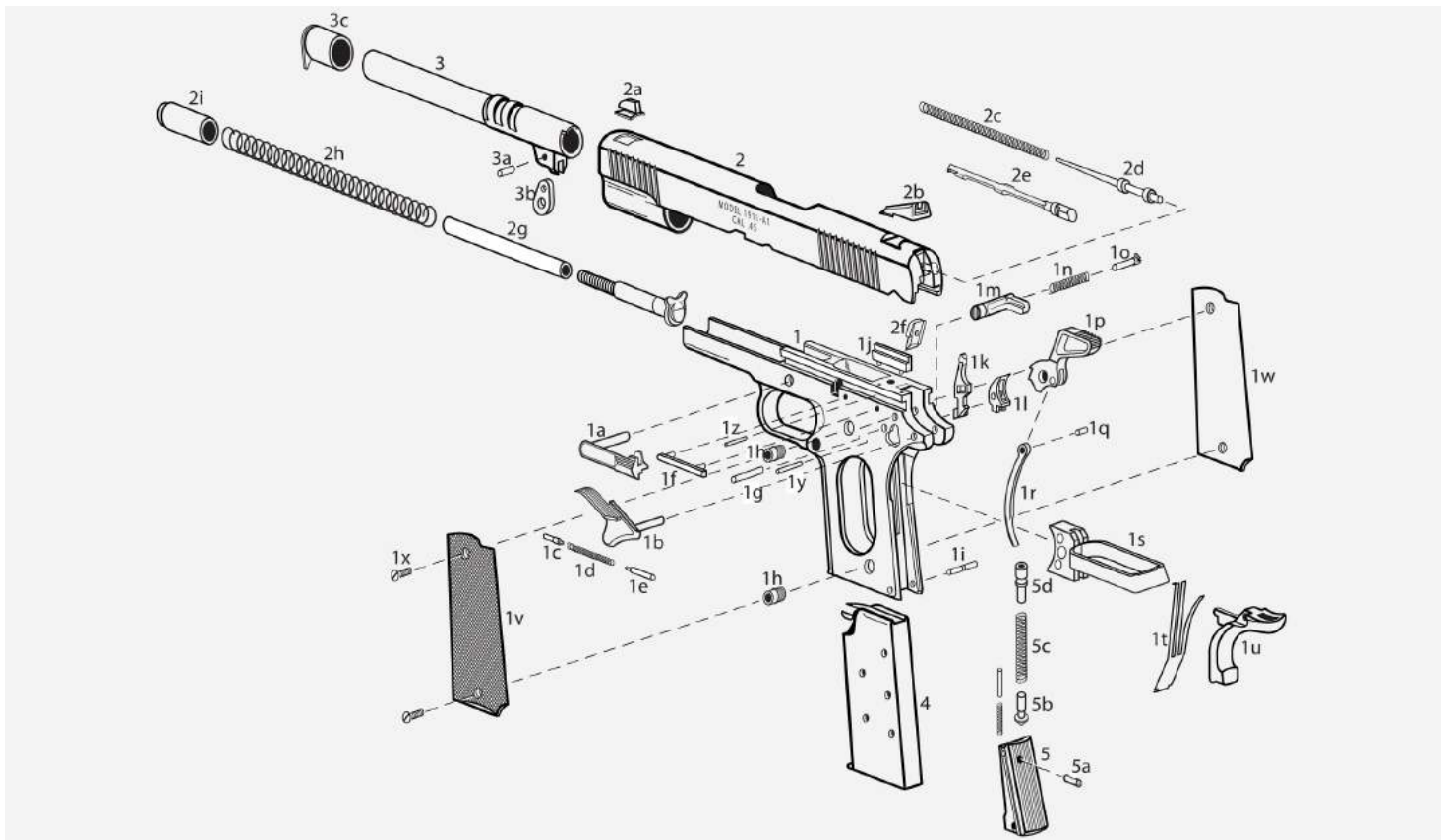
1j .45 Ejector, Extended

1k Disconnecter

- 1l** Sear
- 1m** Magazine Catch
- 1n** Magazine Catch Spring
- 1o** Magazine Catch Lock
- 1p** Regular Spur Hammer
- 1q** Hammer Strut Pin
- 1r** Hammer Strut
- 1s** Mil-Spec Trigger
- 1t** Sear Spring
- 1u** Grip Safety
- 1v** Black Plastic Grip (L.H.)
- 1w** Black Plastic Grip (R.H.)
- 1x** Grip Screw
- 1y** Sear Pin
- 1z** Ejector Pin
- 2** .45 Slide
 - 2a** 3-Dot Front Sight, .180
 - 2b** H.P. Fixed Rear Sight
 - 2c** Extra Power Firing Pin Spring
 - 2d** 9mm Titanium Firing Pin
 - 2e** .45 Extractor
 - 2f** .45 Firing Pin Stop
 - 2g** Recoil Spring Guide
 - 2h** Recoil Spring 16lbs

- 2i** Recoil Spring Plug
- 3** .45 Barrel
- 3a** Barrel Link Pin
- 3b** Mainspring Retainer
- 3c** Barrel Bushing (Stainless)
- 4** .45 7-Round Magazine
- 5** Arched Mainspring Housing
- 5a** ILS™ Locking Bolt
- 5b** Mainspring Retainer
- 5c** Mainspring 28 lb
- 5d** ILS™ Mainspring Cap
- 5e** ILS™ Plunger
- 5f** ILS™ Plunger Spring

"LOADED" MODELS PARTS LIST



PG53-Loaded

- 1** .45 "Loaded" Frame
- 1a** Slide Stop
- 1b** Extended Thumb Safety
- 1c** Slide Stop Plunger
- 1d** Thumb Safety / Slide Stop Spring
- 1e** Safety Plunger
- 1f** Plunger Tube
- 1g** Hammer Pin
- 1h** Grip Screw Escutcheon
- 1i** Mainspring Housing Retainer Pin
- 1j** .45 Ejector, Extended
- 1**

k Disconnecter

1l Sear

1m Magazine Catch

1n Magazine Catch Spring

1o Magazine Catch Lock

1p Delta-Style Hammer

1q Hammer Strut Pin

1r Hammer Strut

1s National Match Aluminum Trigger

1t Sear Spring

1u Beavertail Grip Safety

1v Cocobolo Checkered Grip w/ Bevel (L.H.)

1w Cocobolo Checkered Grip w/ Bevel (R.H.)

1x Grip Screw

1y Sear Pin

1z Ejector Pin

1 .45 Slide

2a Dovetail Front Sight

2b Fixed Combat Rear Sight

2c Extra Power Firing Pin Spring

2d 9mm Titanium Firing Pin

2c Extra Power Firing Spring

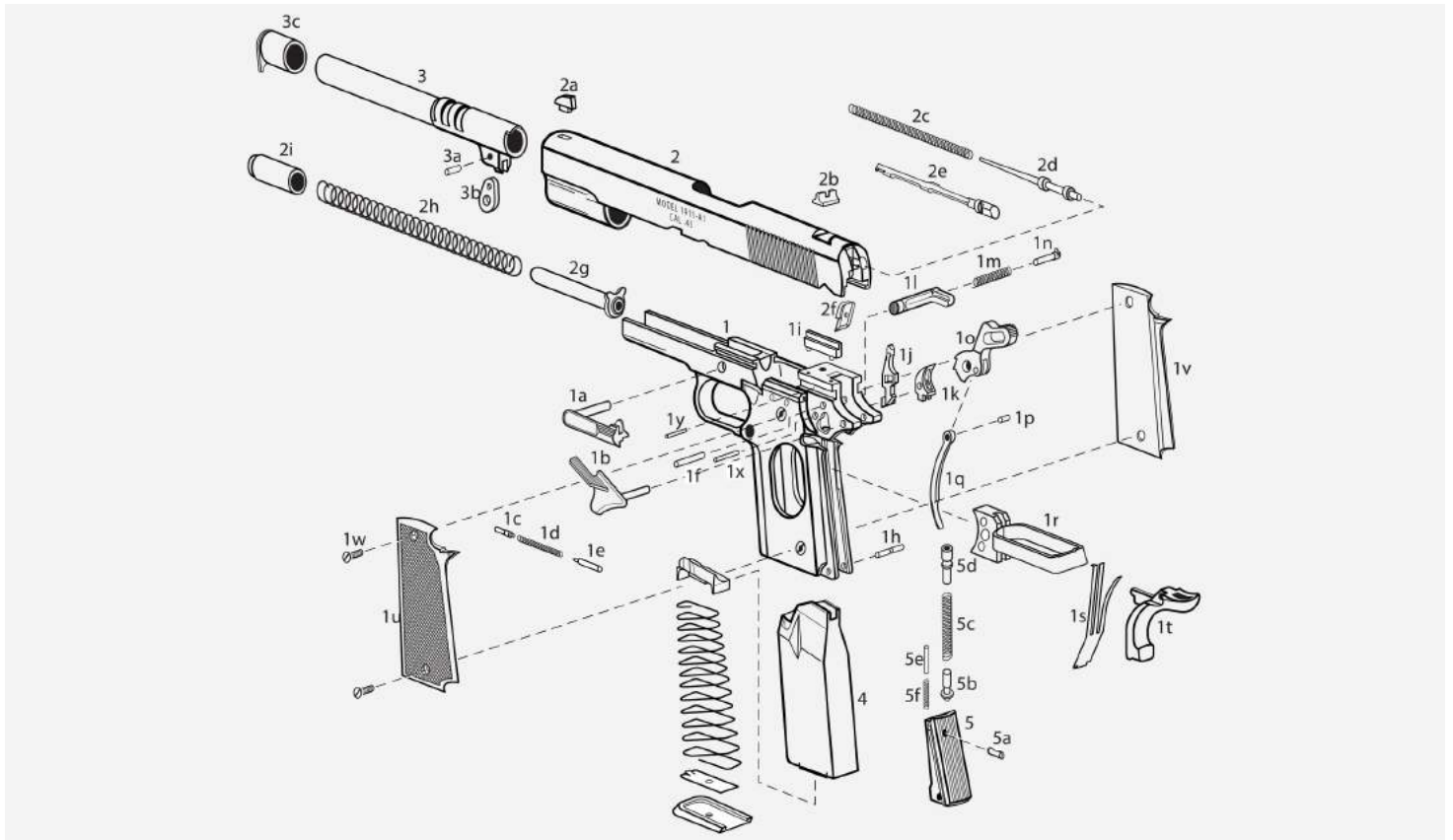
2d 9mm Titanium Firing Pin

2e .45 Extractor

2f .45 Firing Pin Stop

- 2i** .45 Firing Pin Stop
- 2g** National Match 2-Piece Recoil Spring Guide
- 2h** Recoil Spring (16 lb)
- 2i** National Match Guide Plug (Stainless)
- 3** .45 Barrel (Stainless)
- 3a** Barrel Link Pin
- 3b** Barrel Link
- 3c** Barrel Bushing (Stainless)
- 4** .45 7-Round Magazine
- 5** ILS™ Mainspring Housing
- 5a** ILS™ Locking Bolt
- 5b** Mainspring Retainer
- 5c** Mainspring (28 lb)
- 5d** ILS™ Mainspring Cap
- 5e** ILS™ Plunger
- 5f** ILS™ Plunger Spring

HIGH CAPACITY MODELS PARTS LIST



PG55-HighCapacity

1 High-Capacity Frame

1a Slide Stop

1b Extended Thumb Safety

1c Slide Stop Plunger

1d Thumb Safety / Slide Stop Spring

1e Safety Plunger

1f Hammer Pin

1h Grip Screw Escutcheon

1i .45 Ejectors, Extended

1j Disconnecter

1k Sear

1l Magazine Catch

- 1m** Magazine Catch Spring
- 1n** Magazine Catch Lock
- 1o** Delta Style Hammer
- 1p** Hammer Strut Pin
- 1q** Hammer Strut
- 1r** High-Capacity Trigger
- 1s** Sear Spring
- 1t** Beavertail Grip Safety
- 1u** High-Capacity Grip (L.H.)
- 1v** High Capacity Grip (R.H.)
- 1w** High-Capacity Grip Screw
- 1x** Sear Pin
- 1y** Ejector Pin
- 2** .45 Slide
 - 2a** 3-Dot Front Sight .180
 - 2b** H.P. Fixed Rear Sight (3-Dot)
 - 2c** Extra Power Firing Pin Spring
 - 2d** 9mm Titanium Firing Pin
 - 2e** .45 Extractor
 - 2f** Firing Pin Stop
- 3** .45 Barrel (Stainless)
 - 3a** Barrel Link Pin
 - 3b** Barrel Link
 - 3c** Barrel Bushing (Stainless)

4 .45 High Capacity Standard Magazine

5 ILS™ Mainspring Housing

5a ILS™ Locking Bolt

5b Mainspring Retainer

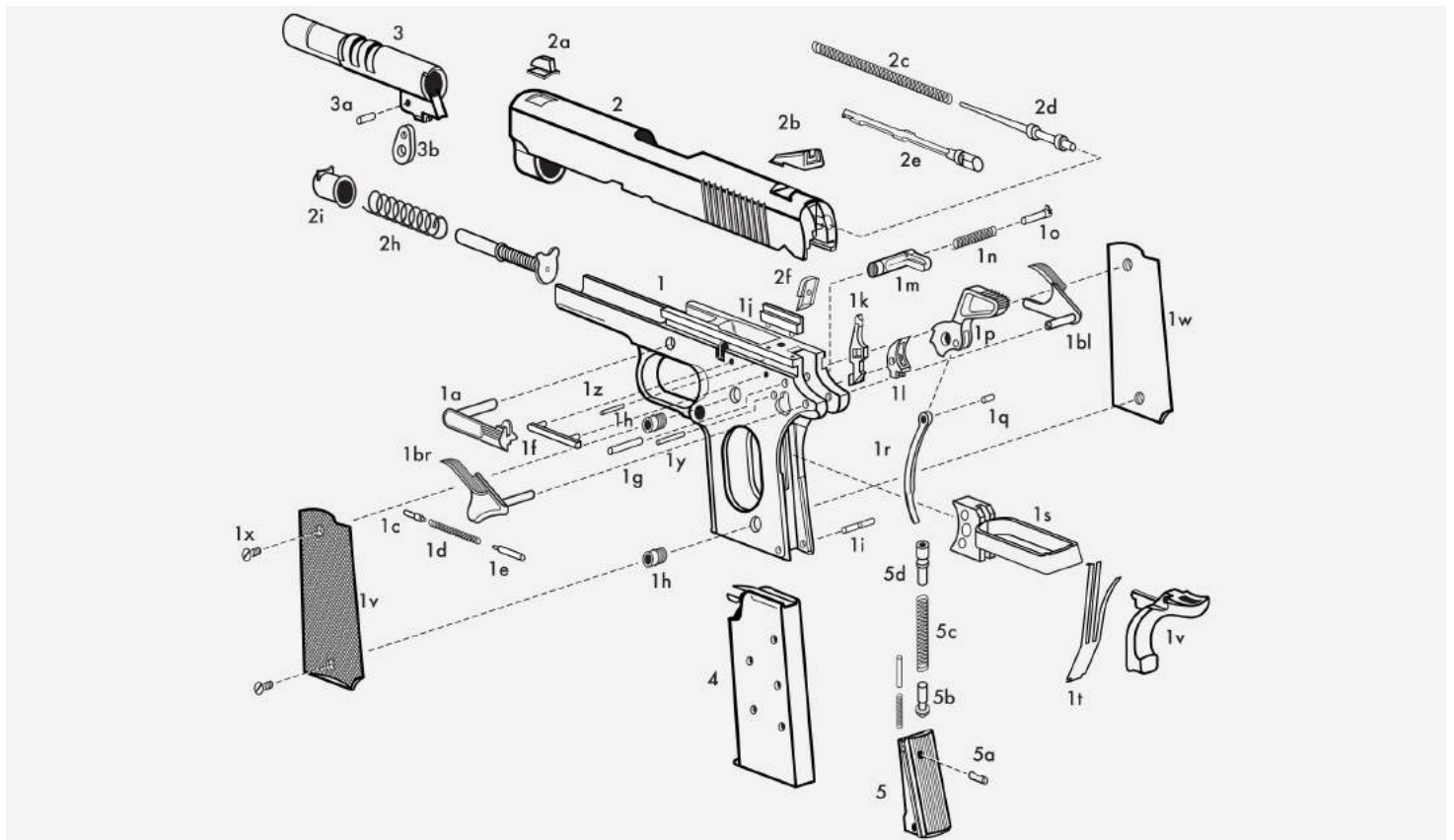
5c Mainspring (28 lb)

5d ILS™ Mainspring Cap

5e ILS™ Plunger

5f ILS™ Plunger Spring

MICRO-COMPACT MODELS PARTS LIST



PG57-MicroCompact

1 .45 "Micro-Compact" Frame

1a Slide Stop

1br Extended Ambidextrous Thumb Safety (Right)

- 1bl** Extended Ambidextrous Thumb Safety (Left)
- 1c** Slide Stop Plunger
- 1d** Thumb Safety / Slide Stop Spring
- 1e** Safety Plunger
- 1f** Plunger Tube
- 1g** Hammer Pin
- 1h** Thin Line Grip Screw Escutcheon
- 1i** Mainspring Housing Retainer Pin
- 1j** Micro-Compact Ejector, Extended
- 1k** Disconnecter
- 1l** Sear
- 1m** Magazine Catch
- 1n** Magazine Catch Spring
- 1o** Magazine Catch Lock
- 1p** Delta-Style Hammer
- 1q** Hammer Strut Pin
- 1r** Hammer Strut
- 1s** National Match Aluminum Trigger
- 1t** Sear Spring
- 1u** Beavertail Grip Safety
- 1v** Cocobolo Checkered Thin Line Grip w/ Bevel (L.H.)
- 1w** Cocobolo Checkered Thin Lin Grip w/ Bevel (R.H.)
- 1x** Thin Line Grip Screw
- 1y** Sear Pin

- 1z** Ejector Pin
- 2** .45 Micro-Compact Slide
 - 2a** Dovetail Front Sight
 - 2b** Fixed Combat Rear Sight
 - 2c** Extra Power Firing Pin Spring
 - 2d** 9mm Titanium Firing Pin
 - 2e** .45 Extractor
 - 2f** 9mm Firing Pin Stop
 - 2g** National Match 2-Piece Recoil Spring Guide
 - 2h** Micro-Compact Outer Recoil Spring
 - 2i** Micro-Compact Reverse Spring Plug
- 3** .45 Barrel (Stainless)
 - 3a** Barrel Link Pin
 - 3b** Barrel Link
- 4** .45 Compact 6-Round Magazine
- 5** ILS™ Mainspring Housing
 - 5a** ILS™ Locking Bolt
 - 5b** Mainspring Retainer
 - 5c** Mainspring (23 lb)
 - 5d** ILS™ Mainspring Cap
 - 5e** ILS™ Plunger
 - 5f** ILS™ Plunger Spring

LOADING / PREPARING TO FIRE

1. Place the EMPTY magazine in the magazine well, located in bottom of pistol grip. Make sure the magazine is EMPTY or you will inadvertently load the firearm. Push firmly enough on bottom of magazine to make sure it is properly seated. A distinctive “click” will confirm the magazine has been properly inserted. Pull the slide all the way to the rear, until it locks back.

2. Depress magazine release and remove magazine. Place rim of first cartridge on front of follower, then push down on the follower and slide cartridge under the lips of the magazine and to the rear. Load successive rounds the same way. Use only clean, dry, original, high-quality, commercially manufactured ammunition.

3. Re-insert magazine into magazine well, located in bottom of pistol grip. Push firmly enough on bottom of magazine to make sure it is properly seated.

4. Point firearm in a safe direction, keep finger off trigger and out away from trigger guard. Pull slide back and release slide smartly to allow slide to move forward and load a shell from the magazine into the chamber.



WARNING: Never touch the trigger when loading or unloading the firearm.



WARNING: Never load cartridge by hand directly into the chamber.

FIRING

If you have never fired a gun before, practice without live ammunition before your first shot. Then load only **one** cartridge into the magazine for your first live ammunition firing.

1. Load shell into chamber from magazine and engage the thumb safety.

2. Grasp grip of pistol firmly. (A loose grip may cause the pistol to malfunction.) The pressure from the hand will disengage grip safety located at top of rear grip area.

3. Move thumb safety down taking gun off safety. **Caution: The gun is now ready to fire . Be prepared for noise and recoil when pistol fires.**

4. Aim gun at target by aligning sights.

5. Lightly place finger on trigger, and slowly squeeze trigger. Spent cartridge is expelled up and to the right.

6. Pistol will automatically be ready to fire again after each shot until all cartridges loaded in magazine have been fired.

7. When last cartridge has been fired, slide will lock open and remain to rear.



WARNING: Improperly loading the 1911 by manually inserting a round in the chamber may cause accidental discharge. Always load the pistol using the magazine. When loading the pistol, always point the muzzle in a safe direction

UNLOADING

IF SLIDE IS ALREADY IN “LOCKED BACK” POSITION:

1. Point gun in safe direction.

2. Press magazine release button to remove magazine.

3. From top and rear, carefully inspect chamber to make sure it is empty (Figure 21-1).

4. Hold slide, disengage slide stop, ease slide forward. **Notice:** The slide of a 1911-A1 pistol should never be released on an empty chamber; especially one which has had an action job. Releasing the slide on an empty chamber causes damage to the

breech face on the barrel and undue stress on all action parts, including the hammer and the sear. This will ruin the action job performed on your pistol.

5. Carefully lower hammer as described in the [Hammer Lowering Section](#). (Figure 21-2)



Figure 21-1



Figure 21-2

IF SLIDE IS FORWARD AND HAMMER IS COCKED:

If slide is forward and hammer is cocked:

1. Point gun in safe direction.

2. Engage thumb safety.

3. Press magazine release button to remove magazine.

4. Disengage thumb safety.

5. Pull slide fully to rear to eject any cartridge remaining in chamber.

6. While holding slide in rearward (open) position, carefully inspect chamber making sure it is empty (Figure 22-2).

7. Slowly release slide, allowing it to return to forward position.

8. Carefully lower hammer as described in [Hammer Lowering section](#) (Figure 22-2).

When magazine has been removed and when chamber is empty, a gun lock can be installed or the ILS™ may be activated (ILS™ not on all models). Pistol can now be safely stored in a secure place.



Figure 22-1



Figure 22-2



WARNING: Even though the chamber is empty there may be cartridges in the magazine. The firearm is not completely unloaded until the magazine is removed and the chamber is empty.

HAMMER LOWERING

1. Point gun in safe direction and ensure pistol is unloaded (Figure 23-1).

2. Firmly hold gun, depressing grip safety.

3. Using non-shooting hand, firmly grasp hammer with thumb and forefinger (Figure 23-2).

4. Be prepared for hammer movement. Squeeze trigger.

5. Slowly lower hammer with thumb and forefinger until it is fully forward.

6. Release trigger. (If the trigger is released early the gun may be on the Safety Stop.)

Note: Always keep and carry your pistol with an empty chamber and with the hammer forward (down) until you intend to shoot, so your pistol cannot be fired unintentionally.



Figure 23-1



Figure 23-2



WARNING: Always keep and carry your pistol with an empty chamber and with the hammer forward (down) until you intend to shoot, so your pistol cannot be fired unintentionally.

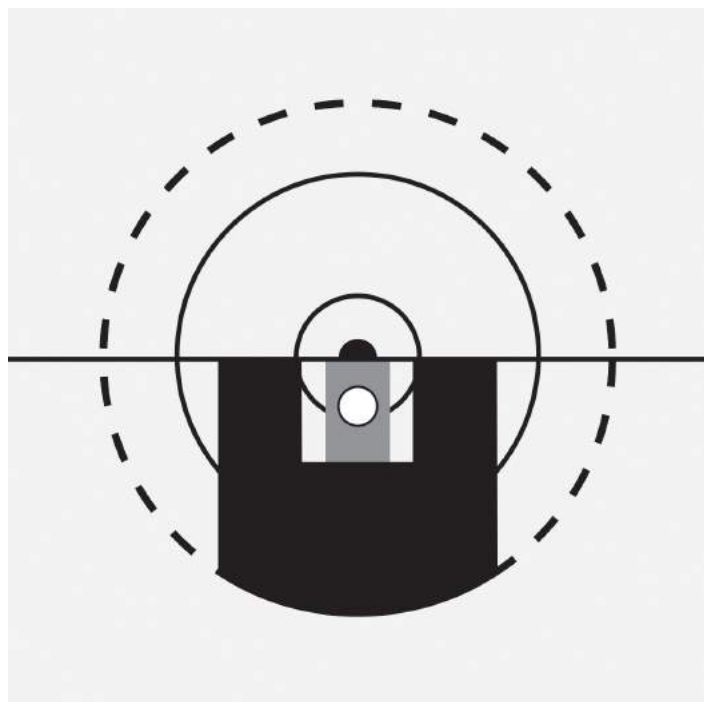
POINT OF AIM

Point of Impact

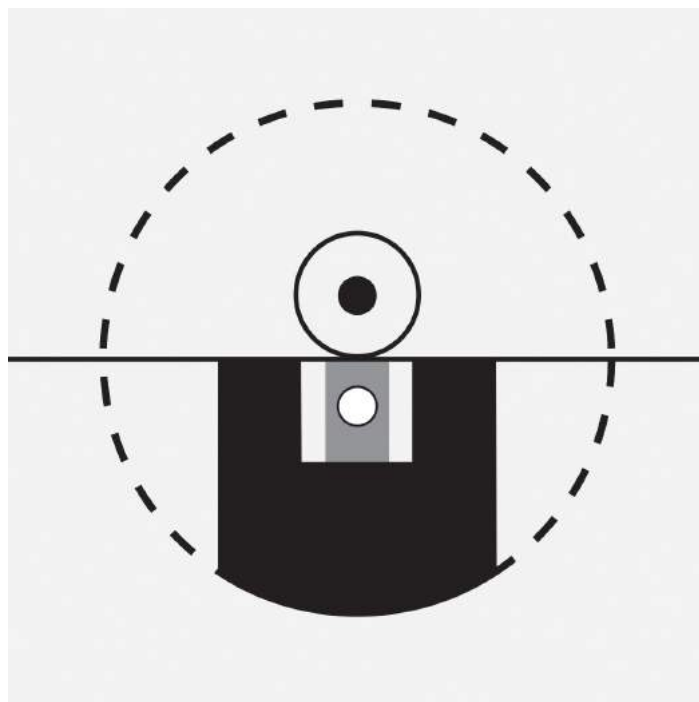
Shooters may use a “point of aim” sight picture at 25 yards. This means that, at 25 yards the bullet should impact the target at the point visible at the top of the front sight. Shooters may also use a “6 o’clock” sight picture to strike the center of the

target. Springfield Armory® pistols are designed to use the “6 o’clock” sight picture at 25 yards. However, some pistols may shoot “point of aim” at 25 yards depending on shooter and ammunition.

Note: 1911-A1 Pistols less than 5 inches are designed to use standard pressure ball ammo and self-defense loads. +P ammunition is not recommended. Use only clean, dry, original, high-quality, commercially manufactured ammunition.



Pg 49 Point Of Aim - 1



Pg 49 Point Of Aim - 2

MALFUNCTION WARNING!

If cartridge hangs up, jams or binds when being chambered from magazine into chamber, do not attempt to force it into chamber by pushing or striking slide.

1. What to do:

1. Point gun in a safe direction.

2. Remove magazine.

3. Pull back on slide and allow cartridge to fall from gun.

4. If cartridge does not fall free, pull slide back and lock it back.

5. Carefully dislodge cartridge.

6. If cartridge cannot be removed, carefully store your gun and take it to a gunsmith.

2. Most failures of cartridge to feed or chamber are the result of a damaged magazine, improper gun handling or defective ammunition.

3. Whatever the cause, a jammed cartridge can be a dangerous situation. Should shell be discharged while out of chamber, cartridge will rupture and fragments will be blown out of pistol with sufficient force to cause injury.



WARNING: Always have firearm pointed in a safe direction. Failure to obey safety information may result in injury to you or others.



WARNING: Always wear eye and ear protection when using any firearm.

TO ELIMINATE MALFUNCTIONS

1. Change type/brand of ammunition and/or magazine.

2. If changing to another type/brand of ammunition and/or magazine does not at once result in smooth feeding of cartridges from magazine to chamber, the following steps should be taken:

1. Make certain chamber and magazine are unloaded. Magazine should be removed first. Check chamber to be sure it and magazine well are clear of cartridges.

2. Thoroughly clean magazine, paying particular attention to removing accumulated grease. Thoroughly clean breech mechanism of pistol. Use a bristle brush and solvent to remove grease and fouling from breech face,

extractor, chamber and feed ramp . ([See Care & Cleaning Section](#) for detailed instruction.)

3. Check that magazine spring tension is adequate. The spring should hold the follower tightly against the lips of the magazine.
-
4. Check that magazine lips are free of nicks and burrs and are not deformed.
-
5. Remove excess oil and solvent from all cleaned components, load magazine and try pistol again.



WARNING: Proceed slowly and exercise caution to prevent the discharge of a jammed cartridge. The discharge of a jammed cartridge could cause serious injury to you or bystanders.

DISASSEMBLY OF FULL-SIZE MODELS

Before performing any cleaning or maintenance, make sure the firearm is completely unloaded (this includes the magazine and chamber). Wear eye protection.

Step 1 - Magazine Removal & Chamber Check. *Point gun in a safe direction.*

1. Press magazine catch and remove magazine.

2. Pull slide backwards and check that no cartridge is in the chamber.

3. Release slide allowing it to go to forward position.

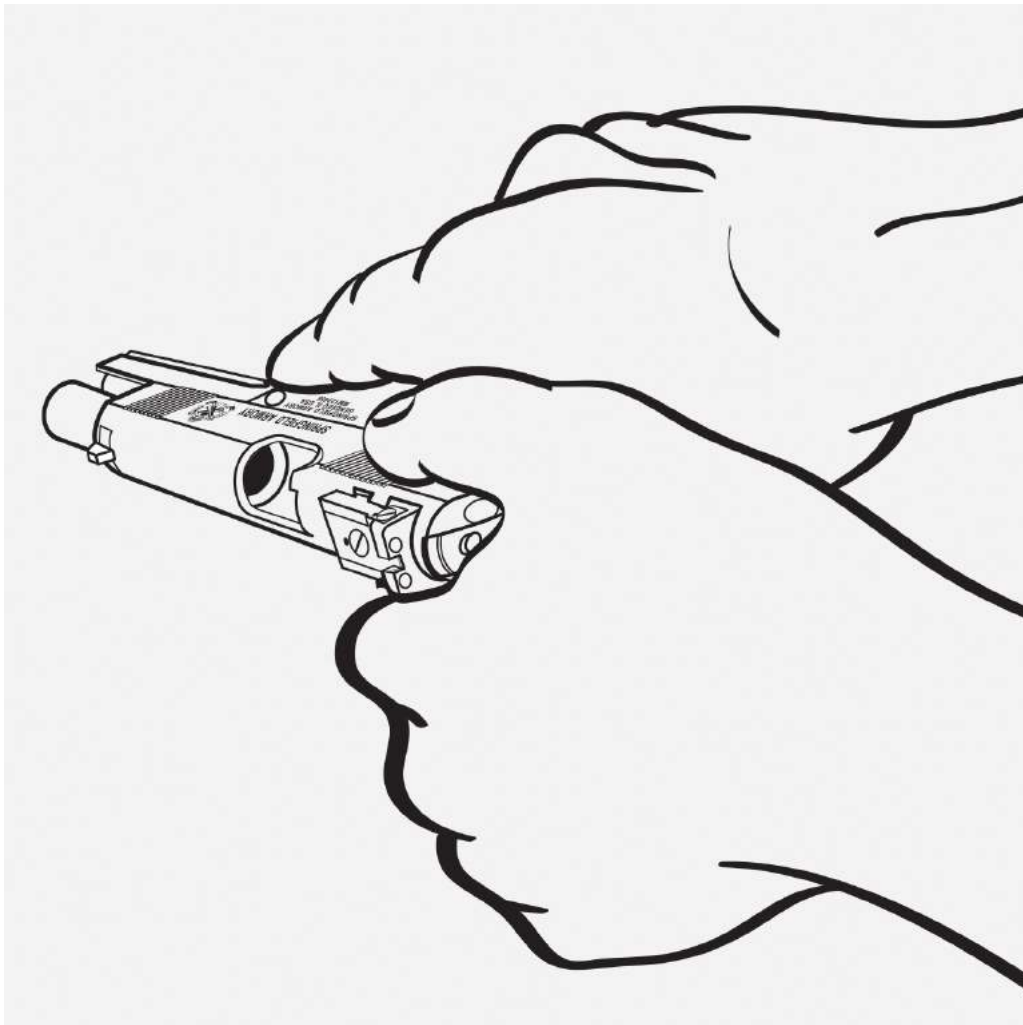


Figure 27-1

Step 2 - Recoil Spring Removal

1. If your pistol contains a 2 piece full length guide rod, use a 5/32 Allen wrench to remove the front portion of guide rod.

-
2. Grip slide behind the front sight, resting pistol butt on top of your knee.
-
3. Move slide rearward, approximately 1/2 inch, grasp firmly to hold in place, and depress recoil spring plug with thumb.
-
4. Point muzzle away from face and rotate barrel bushing clockwise.
-
5. Do not rotate bushing off of plug unless you have control of plug and spring.

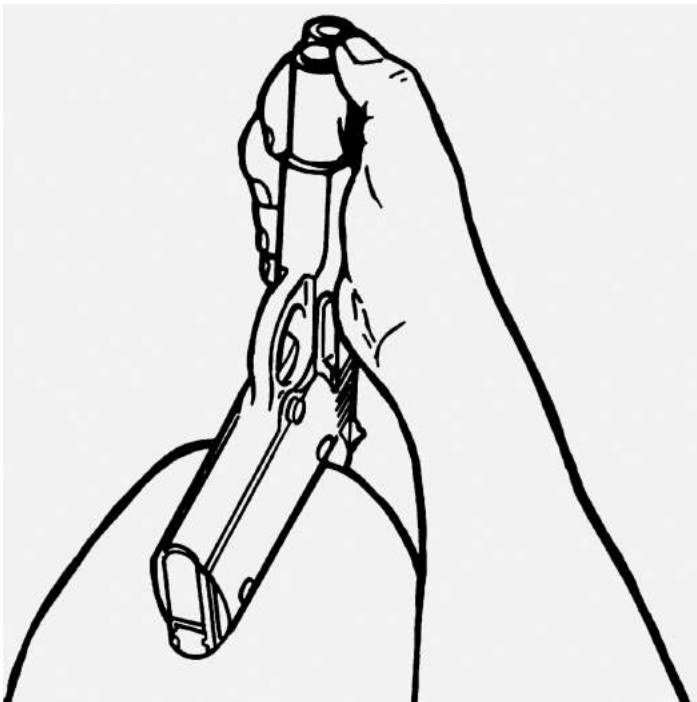


Figure 27-2

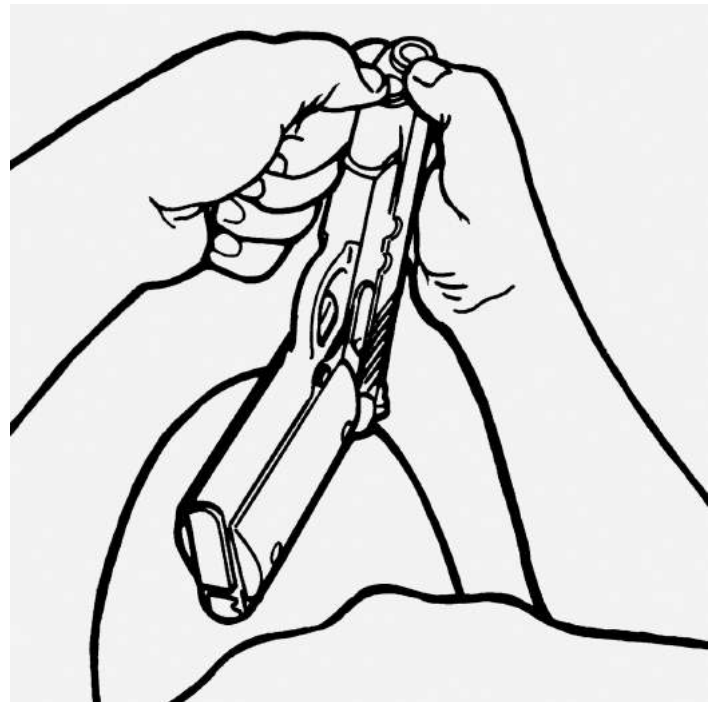


Figure 27-3



WARNING: Point muzzle away from face to prevent injury in the event plug is ejected by spring.

Step 3

1. Cautiously allow plug and recoil spring to move forward



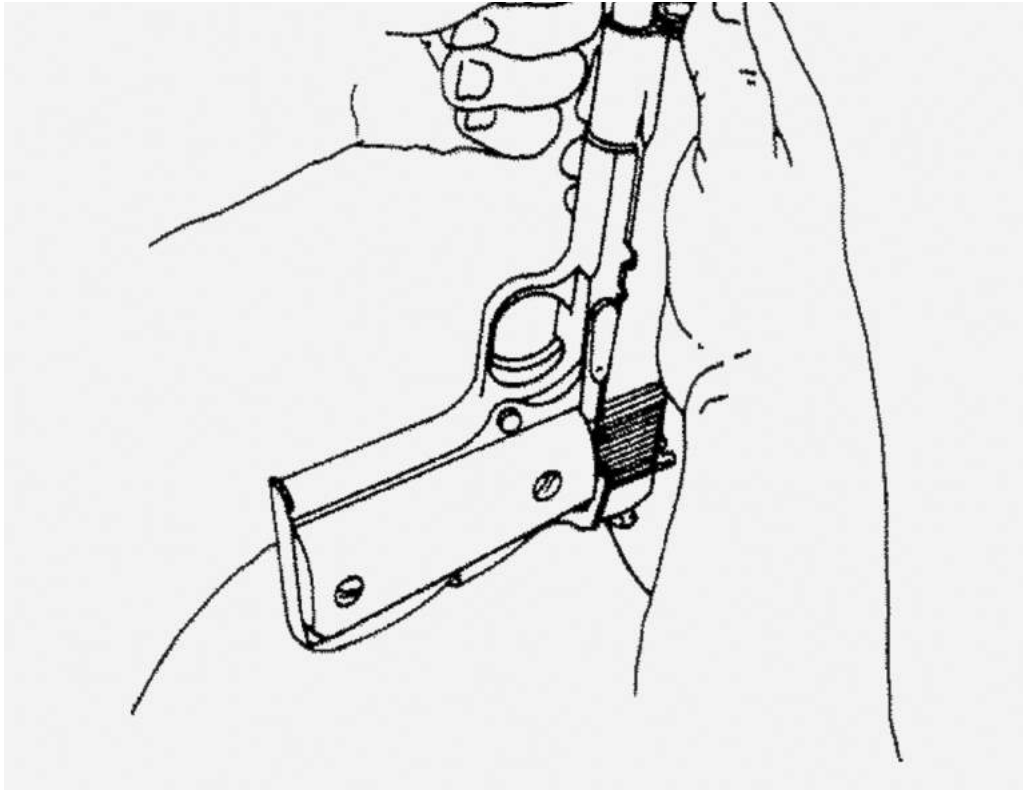
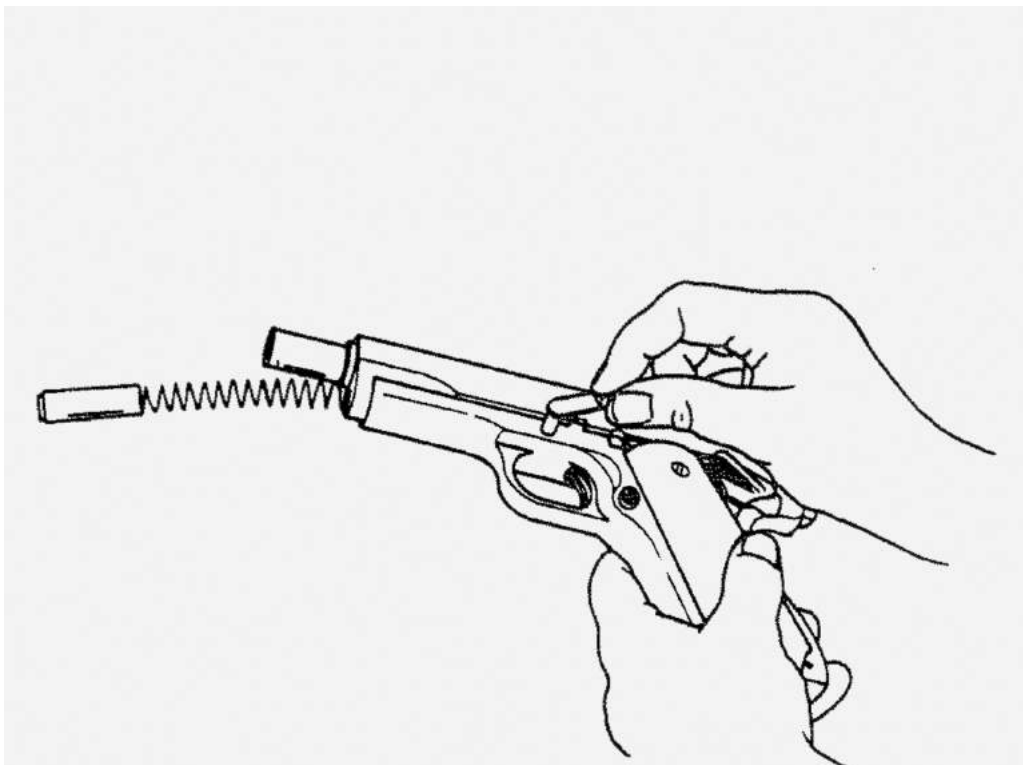


Figure 28-1

Step 4 - Slide Stop Removal

1. Align disassembly notch on slide with slide stop.
-
2. Press slide stop shaft on right side of frame and remove slide stop by pulling it out of left side of frame.



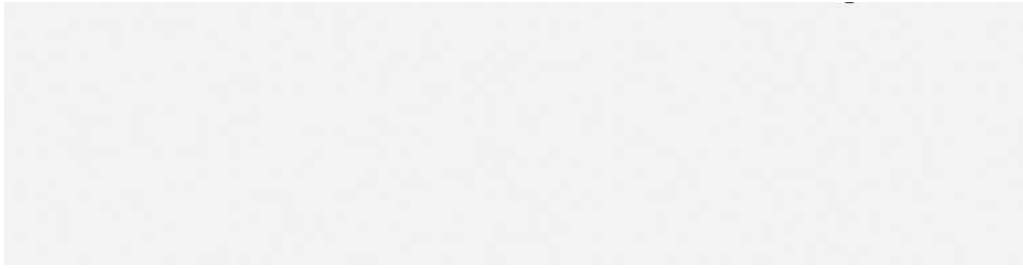


Figure 28-2

Step 5 - Slide Removal

1. Pull slide forward in its guides and remove slide. Barrel, barrel bushing, recoil spring plug, recoil spring and guide will come with it.

Step 6 - Recoil Spring Components Removal

1. Remove recoil spring and guide through back side.

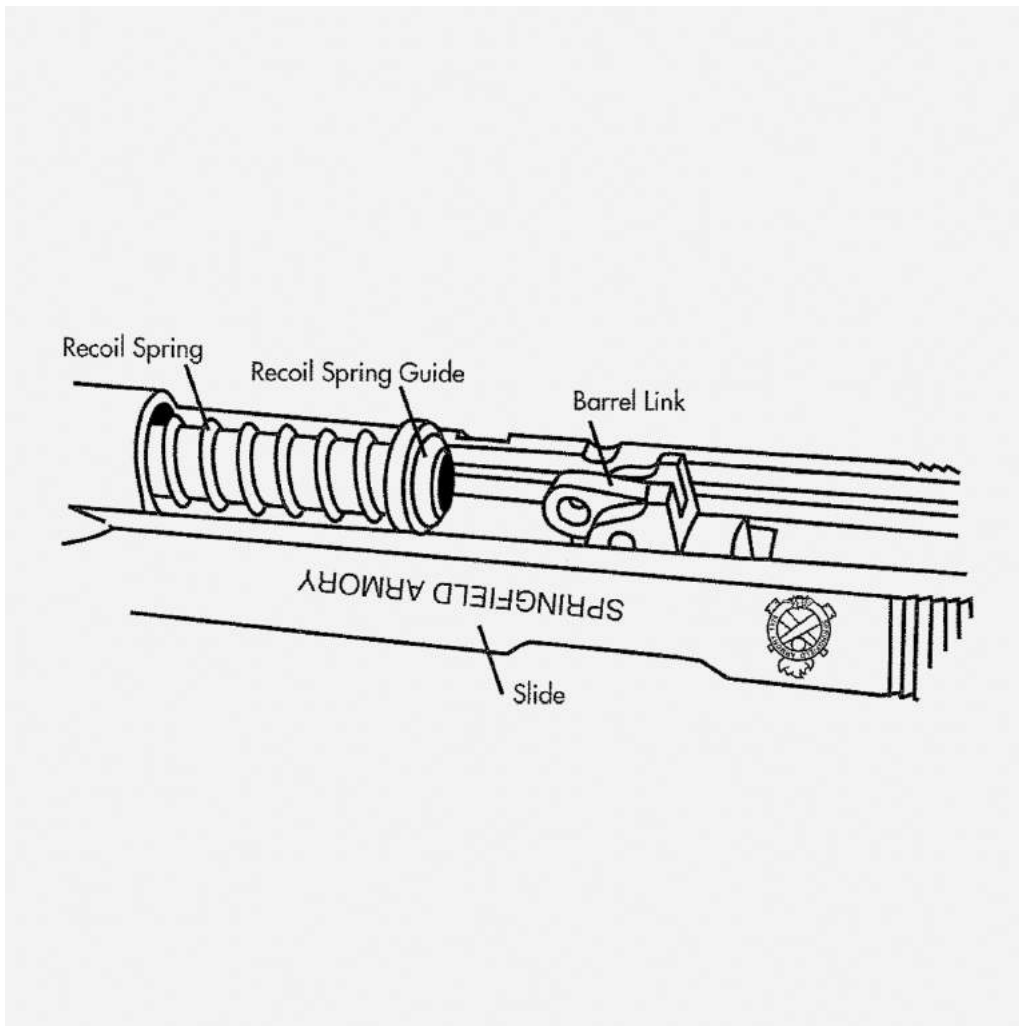


Figure 29-1

Step 7 - Barrel Removal

1. Rotate barrel bushing to left of slide and remove it through the front.

2. Tilt barrel link forward and remove barrel from front of slide

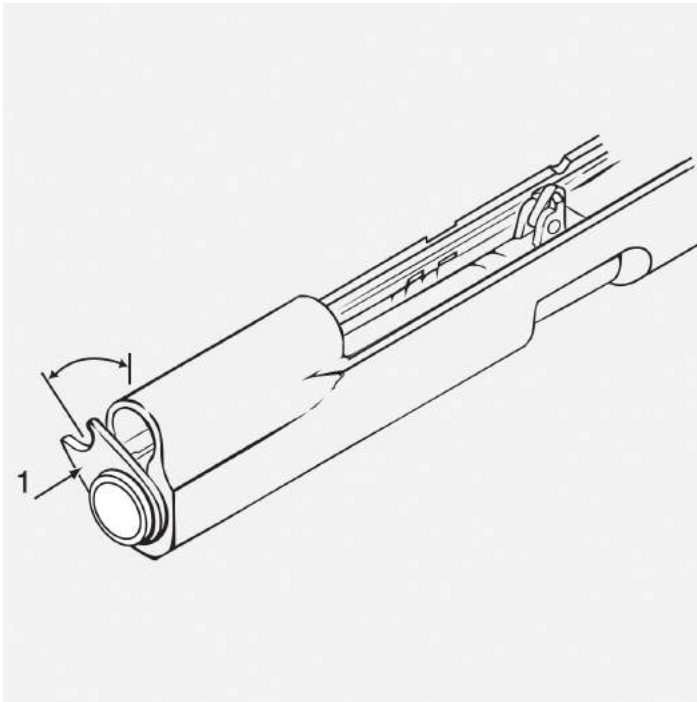


Figure 29-2

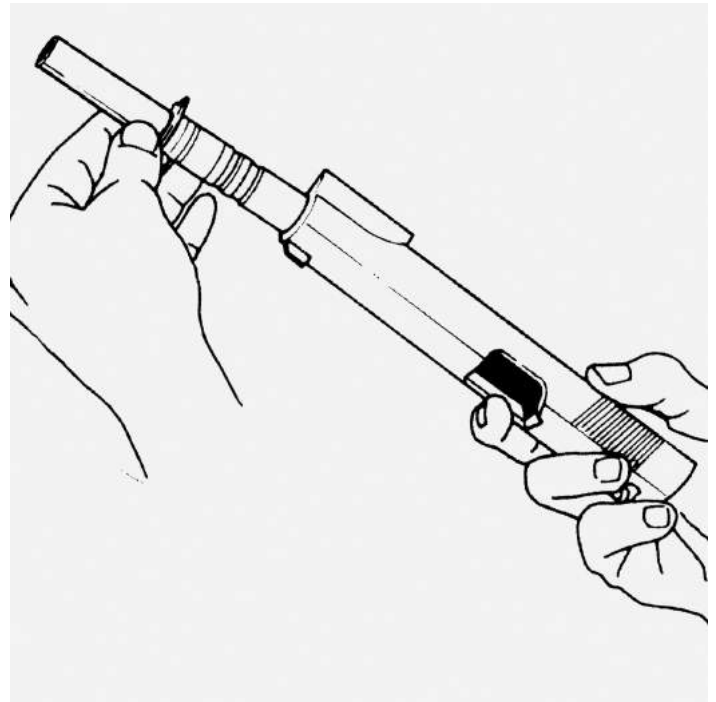


Figure 29-3



CAUTION: Never allow live ammunition in the area while you are maintaining your firearm.



WARNING: If you disassemble your Springfield Armory® firearm, do so properly. Improper disassembly and/or assembly will create unsafe conditions that could result in injury or death, or a firearm that simply will not work. Don't take chances. Do not attempt to disassemble this or any other firearm until you have received training and instructions from a competent gunsmith.



WARNING: Always wear eye and ear protection when using any firearm.

ASSEMBLY OF FULL-SIZE MODELS

Assemble by reversing the order of disassembly.

Note: When replacing recoil assembly (Step 6), be certain the recoil spring guide and recoil spring are aligned with the barrel before inserting in slide. Be sure to flip barrel link forward before installing slide assembly. Slide stop shaft must go through hole in barrel link.

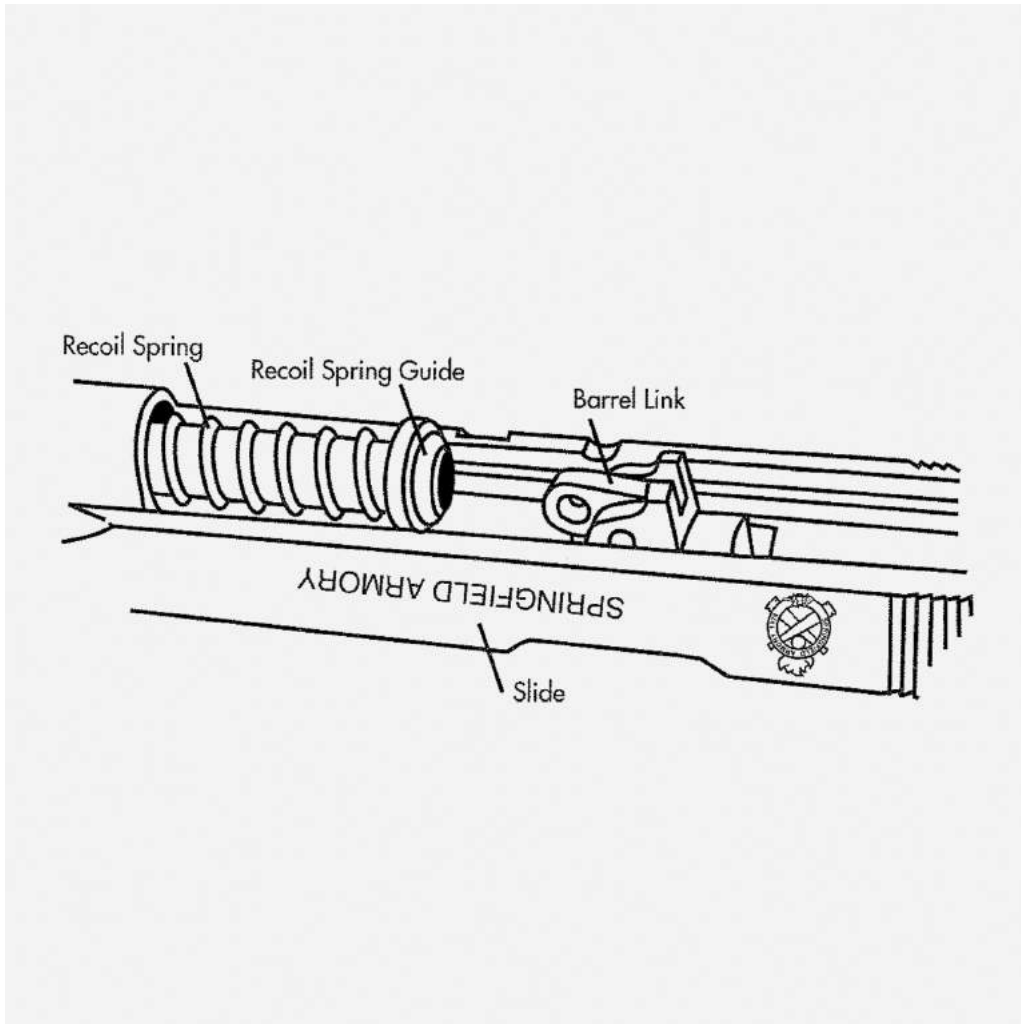


Figure 31-1

DISASSEMBLY OF TRP OPERATOR MODELS

Before performing any cleaning or maintenance, make sure the firearm is completely unloaded (this includes the magazine and chamber). Wear eye protection.

Step 1 - Magazine Removal & Chamber Check. *Point gun in a safe direction.*

1. Press magazine catch and remove magazine.
-

2. Pull slide backwards and check that no cartridge is in the chamber.
-

3. Release slide allowing it to go to forward position.



Figure 33-1

Step 2 - Slide Stop Removal

1. Align disassembly notch on slide with slide stop.

2. Press slide stop shaft on right side of frame.

3. Remove slide stop from left side.

4. Pull slide assembly forward off frame

Step 3 - Recoil Spring Assembly Removal

1. Push recoil spring assembly forward to expose a small, pin-sized hole. (Fig. 33-1)

2. Insert the provided pin (or cut a paper clip so that it extends 1/16" on both sides of guide rod) into pin hole.

3. Remove recoil spring housing from the rear of the slide. (Fig. 33-2)

4. Remove the barrel from the front of the slide.

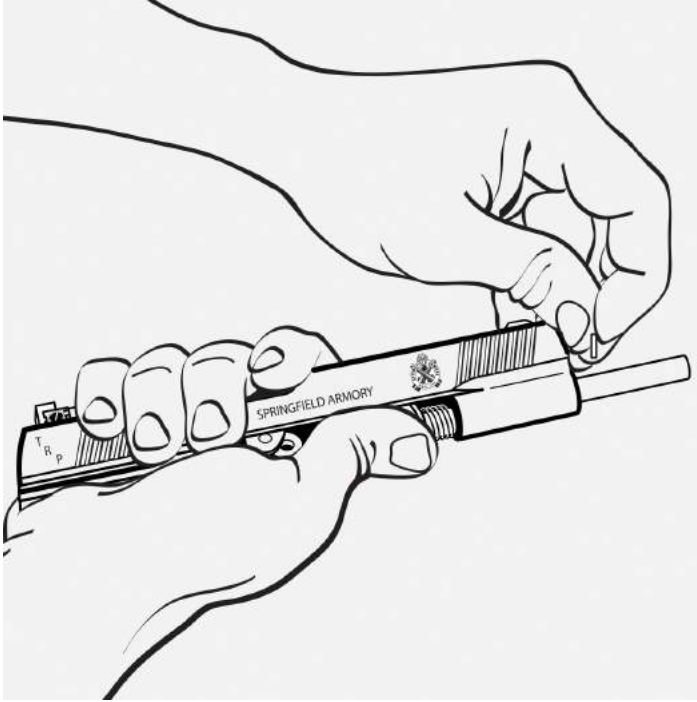


Figure 34-1

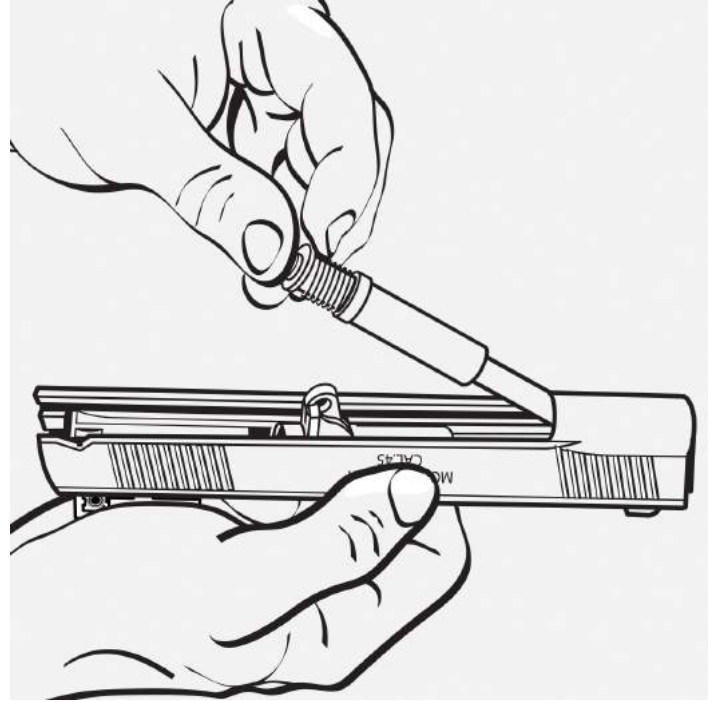


Figure 34-2



WARNING: Point muzzle away from face to prevent injury in the event plug is ejected by spring.



CAUTION: Never allow live ammunition in the area while you are maintaining your firearm.



WARNING: If you disassemble your Springfield Armory® firearm, do so properly. Improper disassembly and/or assembly will create unsafe conditions that could result in injury or death, or a firearm that simply will not work. Don't take chances. Do not attempt to disassemble this or any other firearm until you have received training and instructions from a competent gunsmith.



WARNING: Always wear eye and ear protection when using any firearm.

ASSEMBLY OF TRP OPERATOR MODELS

Assemble by reversing the order of disassembly.

Note: Be sure to flip barrel link forward before installing barrel into slide

DISASSEMBLY OF V-12, V-16, & LONG SLIDE MODELS

Before performing any cleaning or maintenance, make sure the firearm is completely unloaded (this includes the magazine and chamber). Wear eye protection.

Step 1 - Magazine Removal & Chamber Check. *Point gun in a safe direction.*

1. Press magazine catch and remove magazine.

2. Pull slide backwards and check that no cartridge is in the chamber.





Figure 37-1

Step 2 - Full Length Guide Rod Removal

Some V-series and Long Slide Models contain full-length guide rods.

1. Use a 5/32 Allen wrench to remove the front portion of the guide rod.

Step 3 - Slide Stop Removal

1. Align disassembly notch with slide stop.

-
2. Press slide stop shaft on right side of slide and remove slide stop by pulling it out of left side of frame.

Step 4 - Slide Removal

1. Pull slide forward in its guides and remove slide. Barrel, recoil spring plug, recoil spring, and guide will come with it.

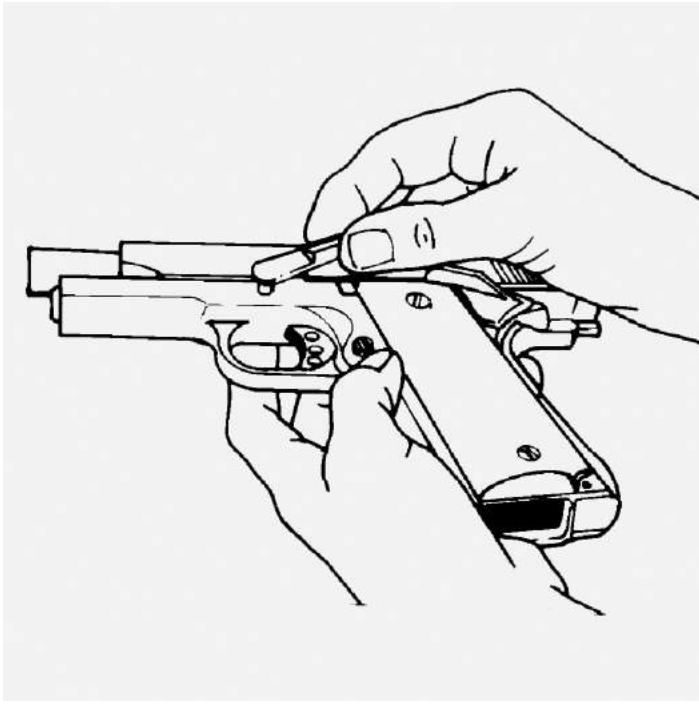


Figure 38-1

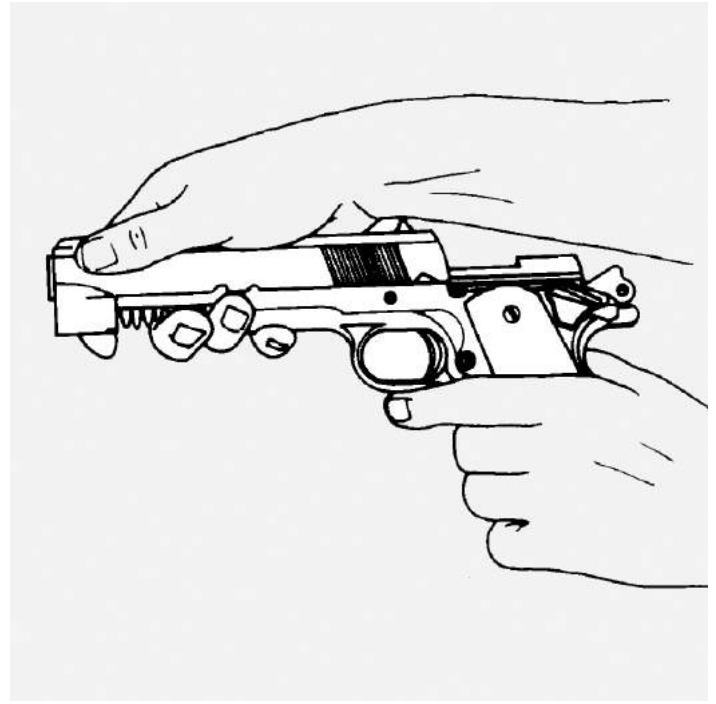


Figure 38-2

Step 4 - Recoil Spring Components Removal

1. Remove guide, recoil spring, and its plug through back of slide.

Step 5 - Barrel Removal

1. Tilt barrel link forward and remove barrel through front of slide.

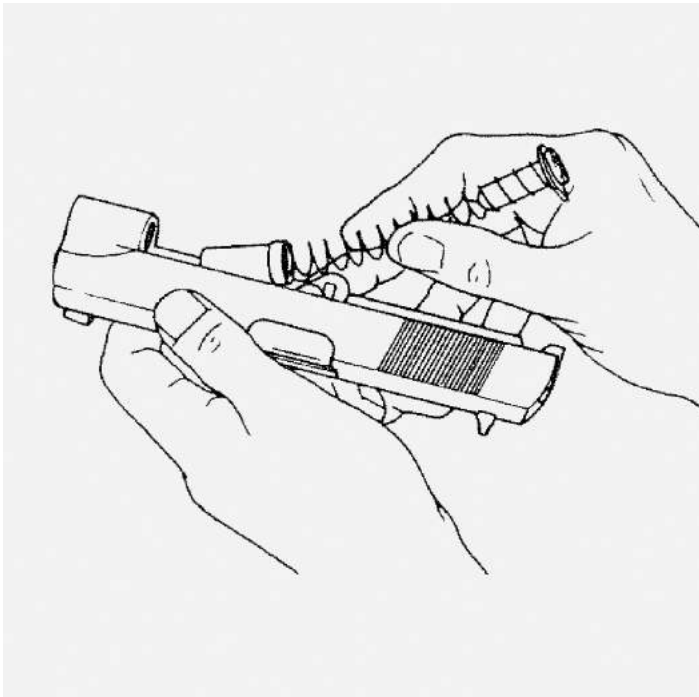


Figure 39-1

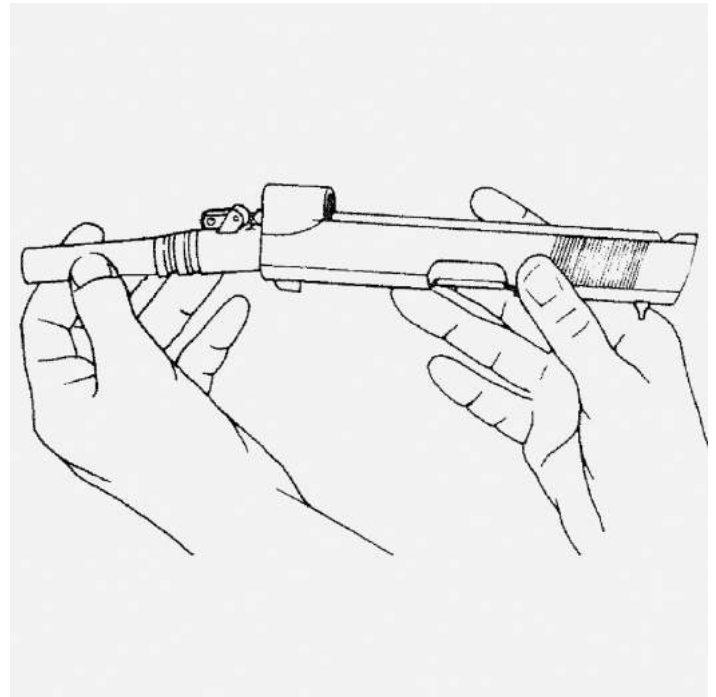


Figure 39-2



WARNING: Point muzzle away from face to prevent injury in the event plug is ejected by spring.



CAUTION: Never allow live ammunition in the area while you are maintaining your firearm.



WARNING: If you disassemble your Springfield Armory® firearm, do so properly. Improper disassembly and/or assembly will create unsafe conditions that could result in injury or death, or a firearm that simply will not work. Don't take chances. Do not attempt to disassemble this or any other firearm until you have received training and instructions from a competent gunsmith.



WARNING: Always wear eye and ear protection when using any firearm.

ASSEMBLY OF V12, V16 & LONG SLIDE MODELS

Assemble by reversing the order of disassembly.

Note: When replacing recoil assembly (Step 4), be certain barrel clearance cuts on recoil spring guide are aligned before inserting in slide . Be sure to flip barrel link forward before installing slide assembly.



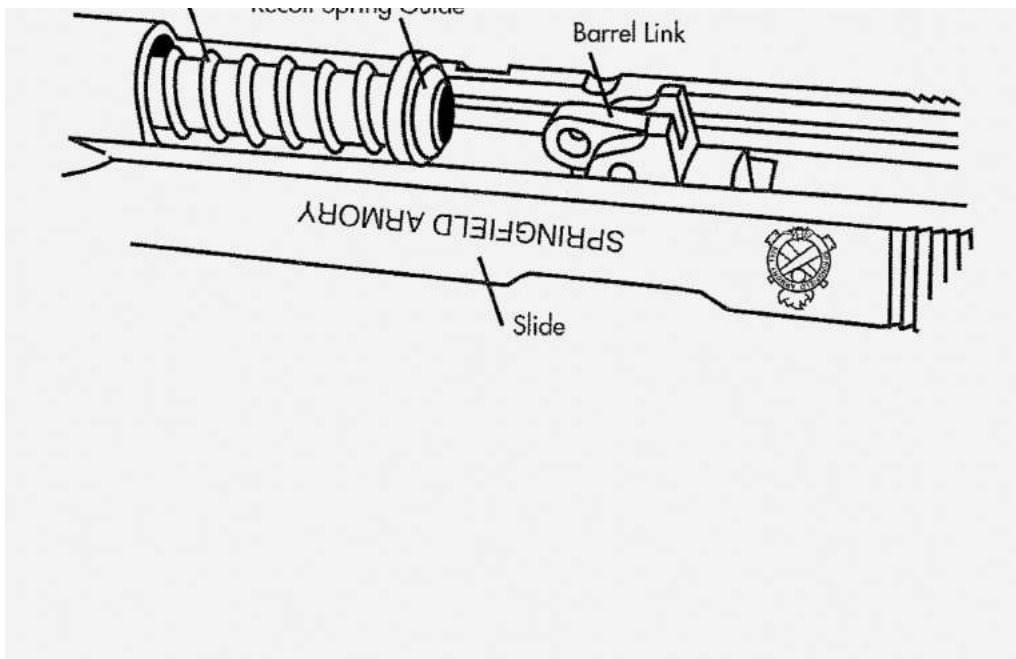


Figure 40-1

DISASSEMBLY OF MICRO COMPACT, ULTRA COMPACT, V-10, COMPACT, EMP® 3", EMP® 4" & CHAMPION™ MODELS

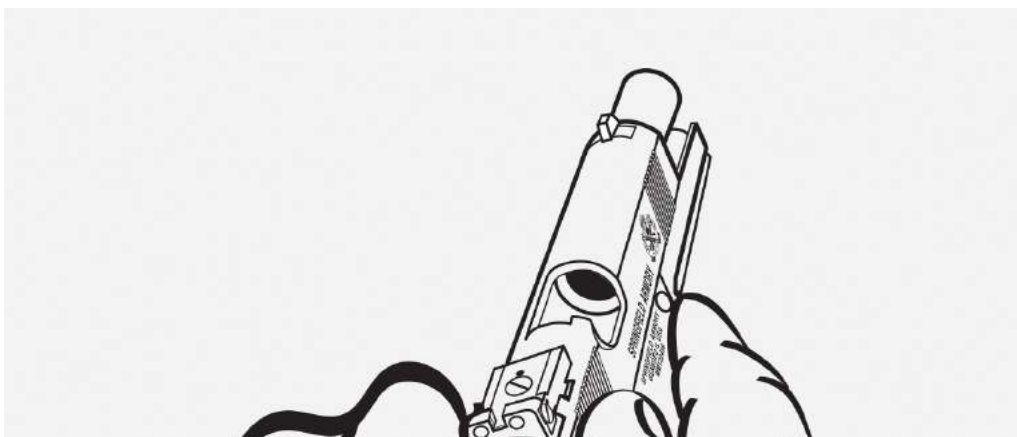
Before performing any cleaning or maintenance, make sure the firearm is completely unloaded (this includes the magazine and chamber). Wear eye protection.

Step 1 - Magazine Removal & Chamber Check. *Point gun in a safe direction.*

1. Press magazine catch and remove magazine.

2. Pull slide backwards and check that no cartridge is in the chamber.

3. Release slide allowing it to go to forward position.



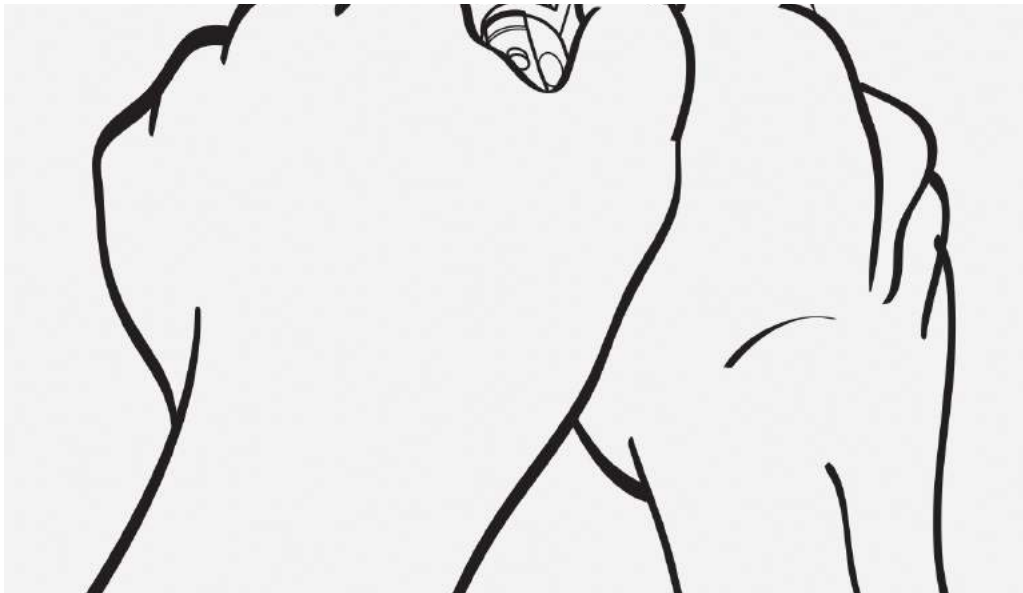


Figure 42-1

NOTE: YOUR FIREARM MAY HAVE ONE OF THE TWO RECOIL SYSTEMS LISTED.

Step 2 - Dual Recoil Spring Disassembly

1. Lock slide to the rear. (See fig. 43-1)

2. Firmly “snap” the takedown piece over the exposed portion of the guide rod between inner spring plug and guide rod cap. (See fig. 43-2)

3. Grasp slide, release slide lock and slowly allow slide to go forward. Align disassembly notch on slide with stop. Remove the slide stop.

4. Carefully remove the slide assembly from the receiver.

5. The recoil spring system can now be removed from the slide. (See fig. 43-3)

6. The barrel can now be removed from the front of the slide.

7. Disassembly is now complete.

Step 2 - Flat Wire Recoil Spring Disassembly

1. Lock slide to the rear.

2. Install flat wire takedown piece. (See fig. 43-4)

3. Align disassembly notch on slide with slide stop.

4. Remove slide stop and slowly remove slide from receiver keeping in mind that the slide is under spring pressure until it clears the receiver.

5. The recoil spring system can now be removed from the slide. (See fig. 43-5)

6. Disassembly is now complete.

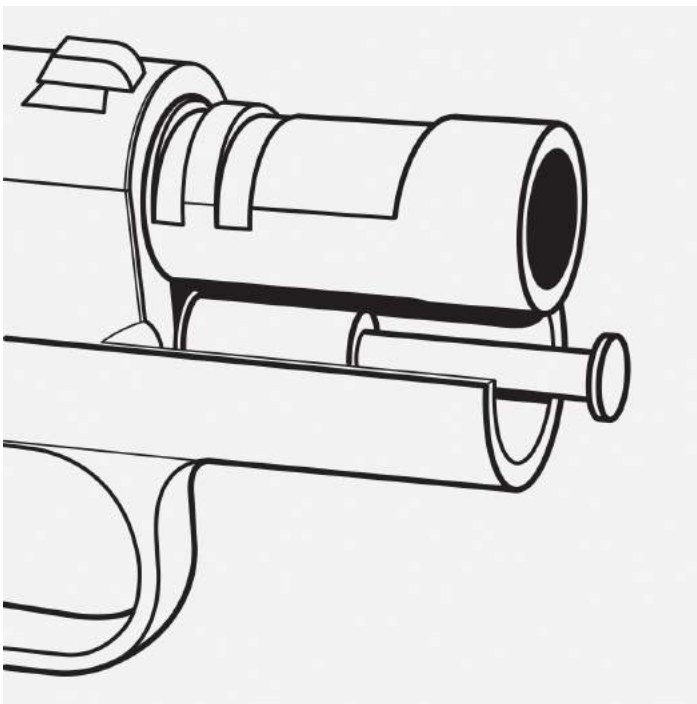


Figure 43-1

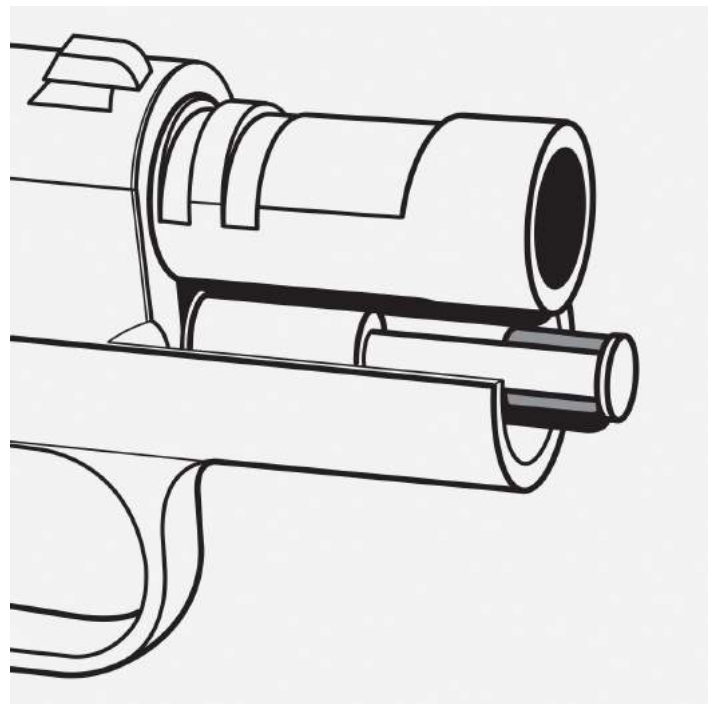


Figure 43-2

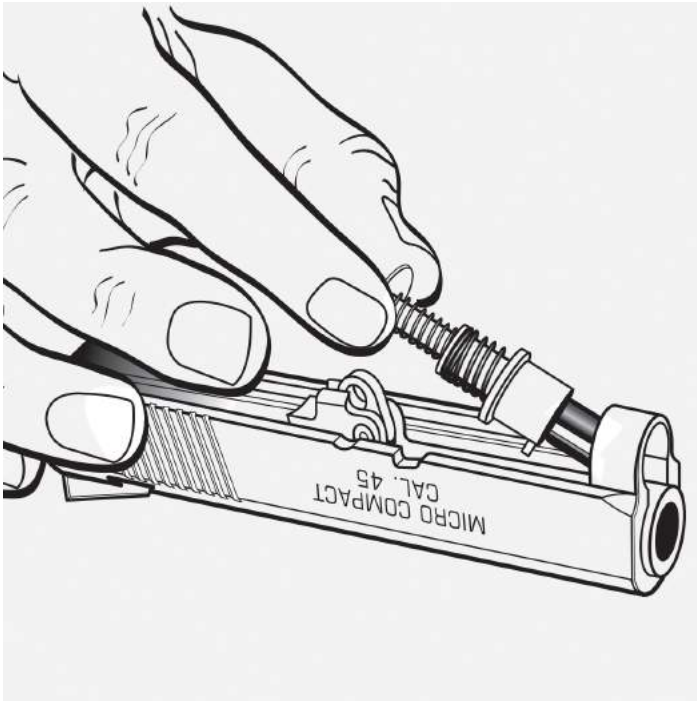


Figure 43-3



Figure 43-4



Figure 43-5



WARNING: Point muzzle away from face to prevent injury in the event plug is ejected by spring.

ALTERNATE METHOD FOR DISASSEMBLY

Dual Recoil Spring Disassembly

1. Retract slide to the takedown notch.

2. Align disassembly notch on slide with slide stop.

3. Remove slide stop and slowly remove slide from receiver keeping in mind that the slide is under spring pressure until it clears the receiver.

4. With the bottom of the slide facing up, press the guide rod head forward until enough of the rod is exposed and firmly snap the takedown piece over the rod. (See fig. 44-1 and 2)

5. The slide assembly can now be disassembled as previously laid out. (Described in section 4, Step 2)



Figure 44-1



Figure 44-2



CAUTION: Never allow live ammunition in the area while you are maintaining your firearm.



WARNING: If you disassemble your Springfield Armory® firearm, do so properly. Improper disassembly and/or assembly will create unsafe conditions that could result in injury or death, or a firearm that simply will not work. Don't take chances. Do not attempt to disassemble this or any other firearm until you have received training and instructions from a competent gunsmith.



WARNING: Always wear eye and ear protection when using any firearm.

ASSEMBLY OF MICRO COMPACT, ULTRA COMPACT, V-10, COMPACT, EMP® 3", EMP® 4" & CHAMPION™ MODELS

Assemble by reversing the order of disassembly.

Note: Be sure to flip barrel link forward before installing barrel into slide.

CARE & CLEANING

Basic materials needed:

- Cleaning rod of proper size with bristle bore brushes (fiber or brass) and tip into which cleaning patch can be inserted.

- Cloth patches

- Powder solvent

- Lubricating oil

- Small lint-free cloths for wiping and oiling

- Bristle brush for scrubbing dirt off breech face, extractor, magazine lips, follower, etc.

Use proper size bore brushes and patches - if they are too small they won't do the job, and if they are too large they will bind inside bore.

When possible, insert cleaning rod from chamber end of bore and push rod all the way through so it emerges from muzzle.

Do not "reverse" rod direction when patch or brush is in barrel, it might bind.

Do not use patches dripping with solvent or oil. Wet patches or brushes, then squeeze out excess before using.

When using bore brushes or a larger bristle brush on breech face, breech areas, magazines, etc., work carefully to prevent damaging components.

Note: If lower parts of receiver and its mechanism are especially dirty, soak in appropriate solvent, or flush clean with same solvent. Remove grip panels before soaking or flushing, and make certain that all foreign matter is removed after cleaning. Lightly oil after cleaning. Only a very small amount of oil is needed to adequately lubricate moving parts and prevent rust. Stainless Steel pistols require slightly more lubrication than parkerized or blued pistols. Accumulation of oil tends to attract dust

and dirt which interferes with the safe and reliable functioning of pistol. Do not apply excess lubricating oil.



WARNING: Wear eye protection when using solvent. Thoroughly wash your hands to remove powder and solvents after cleaning your firearm.



WARNING: Always wear eye and ear protection when using any firearm.

CLEANING PISTOL

1. Point gun in safe direction.

2. Remove magazine and empty chamber.

3. Separate cartridges from pistol before cleaning operation.

4. Open slide and visually check that chamber and magazine well are free of cartridges.

5. Disassemble pistol as described in the [DISASSEMBLY Section](#).

6. Using cleaning rod, run solvent-wetted patch through barrel several times.

7. Attach solvent-wetted bristle brush to rod and run back and forth full length of bore as needed until clean of grease and dirt.

8. Clean barrel with dry patches and examine it. If necessary, repeat barrel scrubbing. Bore fouling can contribute to reduced accuracy, and grease accumulation in the chamber can interfere with proper feeding of cartridges from magazine.

9. Using powder solvent on a clean patch, remove powder residue from all components of mechanism. If grease or dirt cannot be removed by wiping with

patch, use solvent-wetted bristle brush.

10. Next, wipe scrubbed areas with solvent-wetted patch.

11. After cleaning, run dry patch through barrel, then follow with lightly-oiled patch.

12. Wipe all surfaces clean with cloth, then wipe all surfaces with lightly-oiled patch (or cloth).

13. Reassemble pistol. Remember, an improperly assembled firearm is dangerous and should not be fired. Always consult an experienced gunsmith if you experience any difficulty or have any questions concerning assembly procedure.

14. If pistol is to be stored for an extended period, final oil wiping can be heavier so there will be less tendency for it to evaporate. Stainless steel pistols must be lubricated.

PERIODIC CLEANING: EXTRACTOR

Note: Once the slide is removed, the firing pin removal and cleaning can be done

Step 1 - Firing Pin Removal

1. If necessary, remove firing pin by pressing it with pin punch while simultaneously pushing firing pin tail past the firing pin stop, then pull firing pin stop downward from slide.

2. Remove firing pin and its spring.

Step 2 - Extractor Removal

1. Using pin punch, pull extractor by groove where firing pin stop runs.

Used Guns

If you got this firearm as a used gun, before you use it you should make sure it is unloaded and check all its functions to be sure it works right . Guns are sometimes altered to work incorrectly, or parts may be removed, lost or replaced with incorrect

parts . First, unload it and check it yourself, then take it to a good gunsmith who knows about this model of firearm, and have it checked

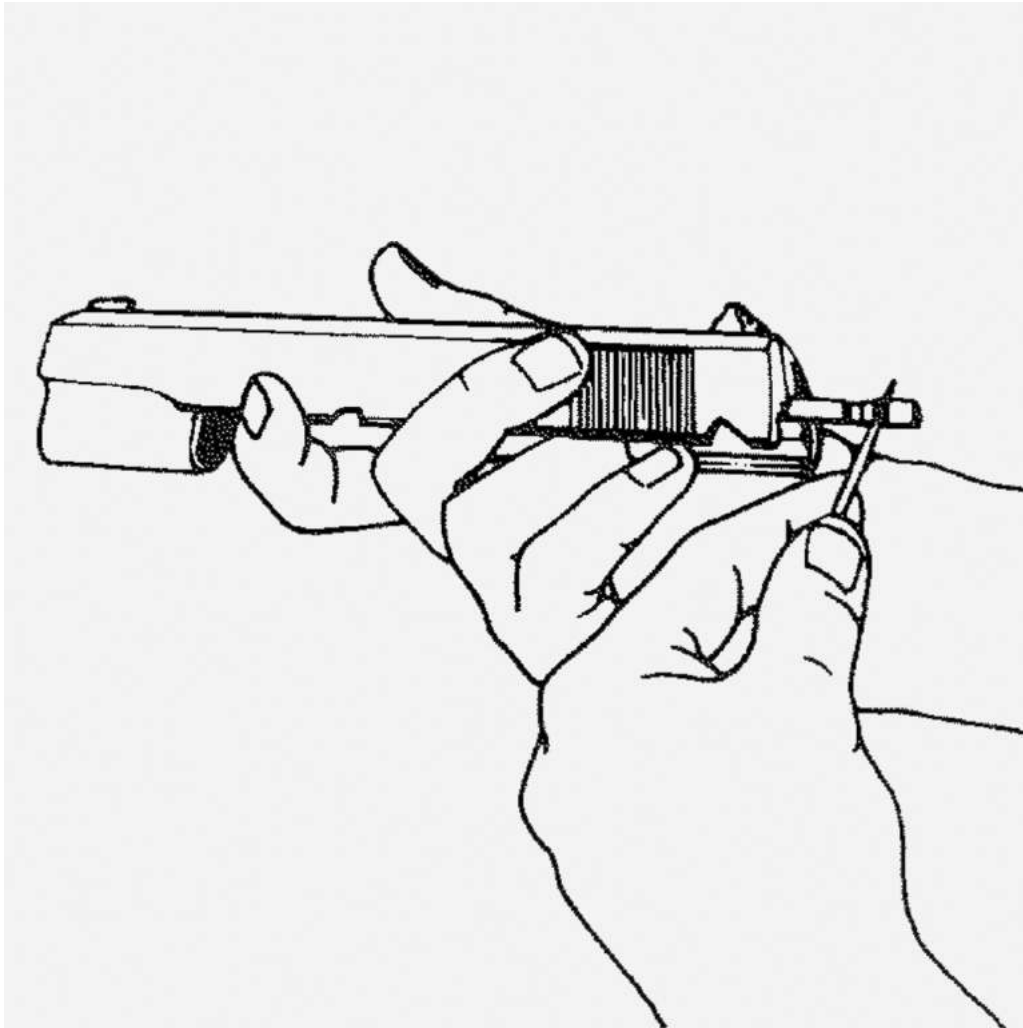


Figure 61-1



CAUTION: Point the back end of the slide, where the firing pin exits, away from face to prevent injury in the event the firing pin is ejected by the spring.

CABLE LOCK

This cable lock is supplied as an aid to your security measures. Store key separately away from lock and out of reach of children. Springfield, Inc. firearm boxes are also designed for an exterior lock. (Not Included)

1. Point firearm in safe direction while keeping your finger off the trigger.

2. Press magazine release and remove magazine.

3. Pull slide fully to the rear and lock open.

4. Check to see that no cartridge is in the chamber.

5. Insert cable through the ejection port and out magazine well.

6. Lock cable into cable lock.

7. Grasp slide and ease forward

###



Figure 58-1



CAUTION: Guns should always be locked and stored in complete compliance with all applicable laws and regulations.